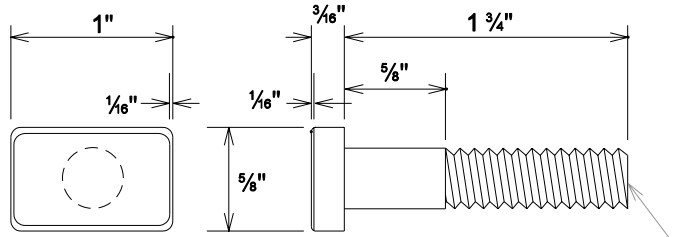
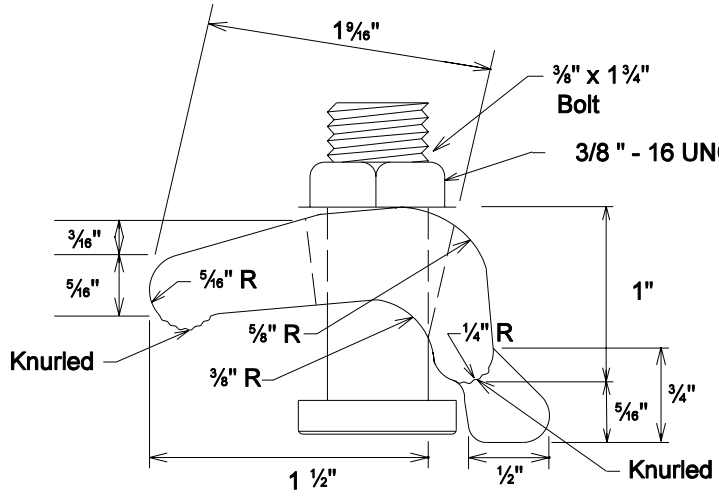


PLAN VIEW



3/8"-16 UNC-2A Thread

SIDE VIEW



ELEVATION VIEW

TOP VIEW

POST CLIP BOLT

INDIANA DEPARTMENT OF TRANSPORTATION	
Panel Sign Post Clip	
SEPTEMBER 2004	
STANDARD DRAWING NO. E 802-SNGP-10A	
	<i>/s/ Richard L. VanCleave</i> 9-01-04 DESIGN STANDARDS ENGINEER DATE
	<i>/s/ Richard K. Smutzer</i> 9-01-04 CHIEF HIGHWAY ENGINEER DATE
DESIGN STANDARDS ENGINEER	