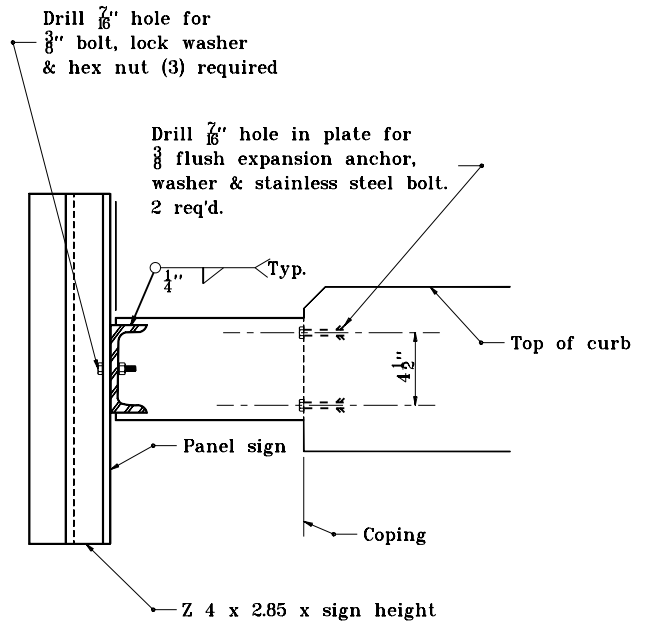


PLAN (TYPE A)

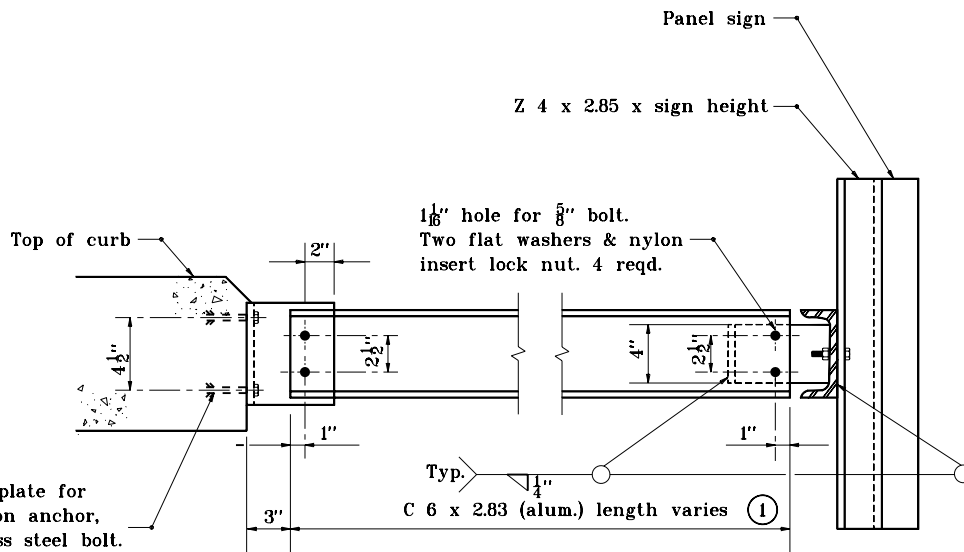
10°, 20°, 30°, & 40° CONNECTIONS



SECTION B-B

GENERAL NOTES

① See Standard Drawing E 802-SNBB-05 for table.



SECTION C-C

Drill $\frac{7}{16}$ " hole in plate for $\frac{3}{8}$ " flush expansion anchor, washer & stainless steel bolt. 2 req'd.

Typ. $\frac{1}{4}$ "
C 6 x 2.83 (alum.) length varies ①

INDIANA DEPARTMENT OF TRANSPORTATION	
BRIDGE BRACKET ASSY. FOR CROSSROAD SIGNING	
SEPTEMBER 2001	
STANDARD DRAWING NO. E 802-SNBB-02	
	/s/ Anthony L. Uremovich 9-04-01 DESIGN STANDARDS ENGINEER DATE
	/s/ Firooz Zandi 9-04-01 CHIEF HIGHWAY ENGINEER DATE
DESIGN STANDARDS ENGINEER	