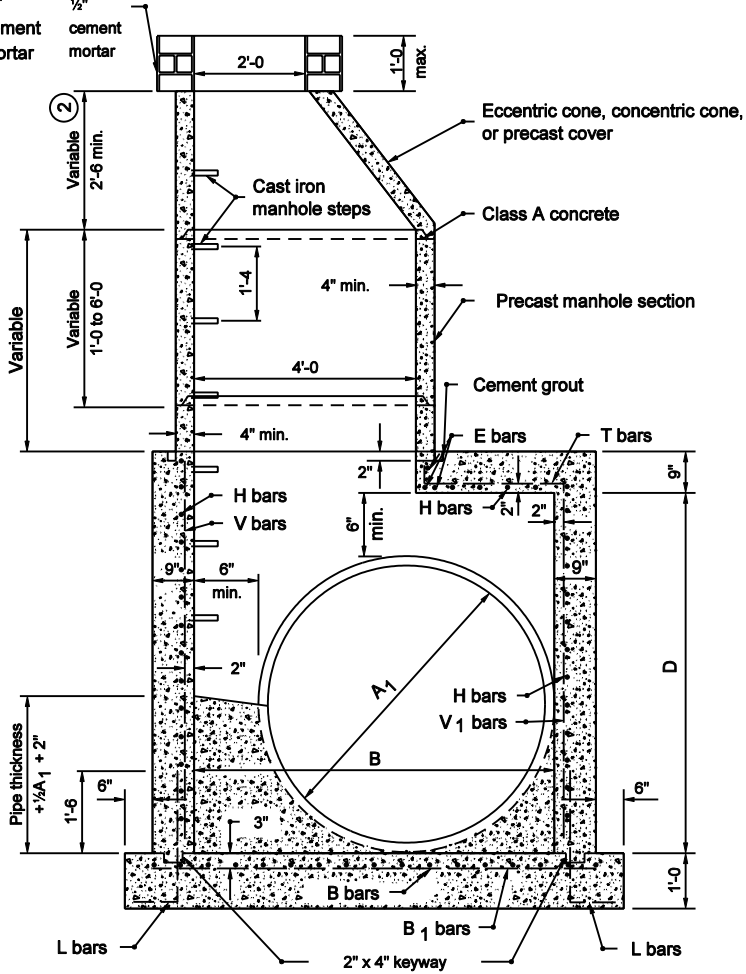


MANHOLE DIMENSIONS		
TYPE	A-1 PIPE SIZE DIA. (in)	B AND D
D	27 to 42	4'-9"
E	48 to 60	6'-6"
F	66 to 84	8'-10"
G	90 to 108	11'-2"

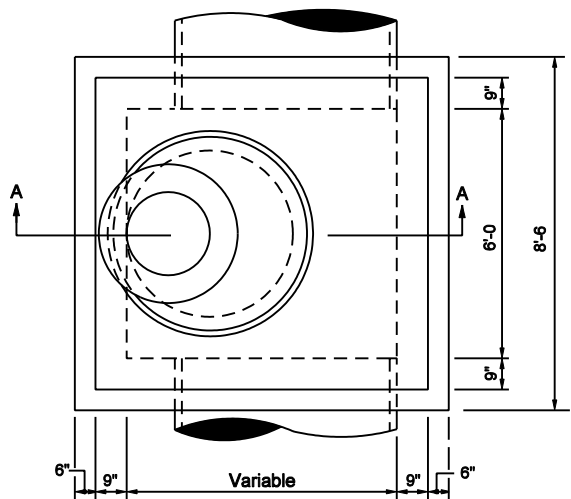
$\frac{1}{2}$ " cement mortar
 $\frac{1}{2}$ " cement mortar
 $\frac{1}{2}$ " cement mortar
 $\frac{1}{2}$ " cement mortar
 $\frac{1}{2}$ " cement mortar
 $\frac{1}{2}$ " cement mortar



SECTION A-A

NOTES

- Manhole type H, J, K, L, M, or N, may be substituted for manhole type C, D, E, or F for comparable pipe sizes. See Standard Drawing E 720-MHST-05 for manholes type H, J, K, L, M, and N details.
- For eccentric and concentric cone heights see Cone Heights Table on Standard Drawing 720-MHST-08.
- See Standard Drawing 720-MHST-10 for Reinforcing Steel for Manholes table.



PLAN VIEW

INDIANA DEPARTMENT OF TRANSPORTATION	
MANHOLES TYPE D, E, F, AND G	
SEPTEMBER 2003	
STANDARD DRAWING NO. E 720-MHST-04	
	<i>/s/ Richard L. VanCleave</i> 9-02-03 DESIGN STANDARDS ENGINEER DATE
	<i>/s/ Richard K. Smutzer</i> 9-02-03 CHIEF HIGHWAY ENGINEER DATE
DESIGN STANDARDS ENGINEER	