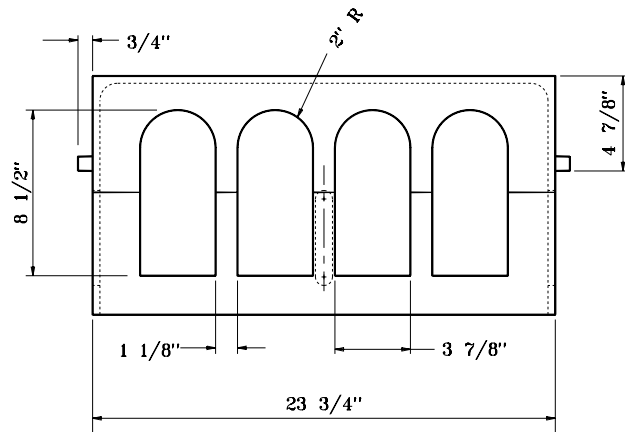
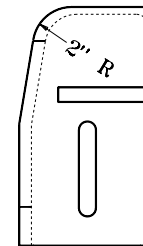


GENERAL NOTES

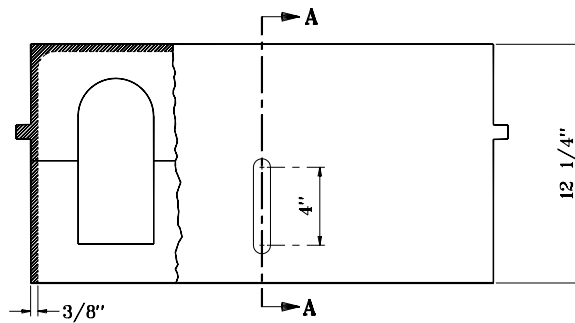
1. Curb box adjustable from 5 1/4" to 8 3/4".



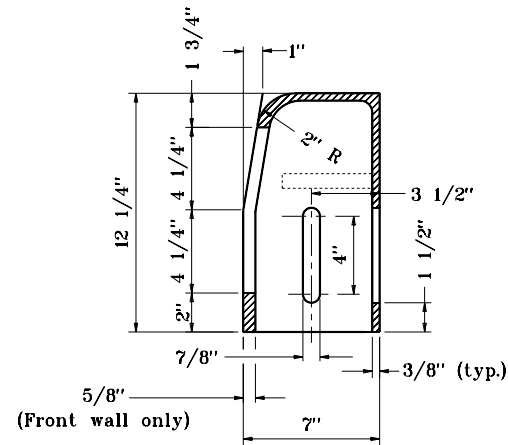
FRONT



SIDE



**CURB BOX
CASTING TYPE 8**



SECTION A-A

INDIANA DEPARTMENT OF TRANSPORTATION	
CASTING TYPE 8	
CURB BOX	
SEPTEMBER 1998	
STANDARD DRAWING NO. E 720-ICCA-06	
	DETAILS PLACED IN THIS FORMAT 11-15-99
	/s/ Anthony L. Uremovich 11-15-99 DESIGN STANDARDS ENGINEER DATE
	/s/ Firooz Zandi 11-15-99 CHIEF HIGHWAY ENGINEER DATE
DESIGN STANDARDS ENGINEER	ORIGINALLY APPROVED 9-01-98