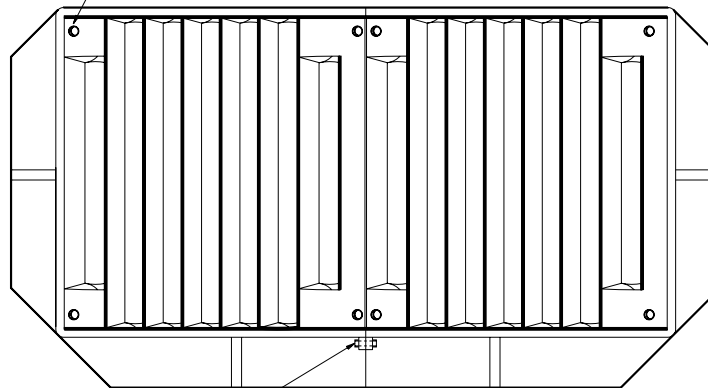
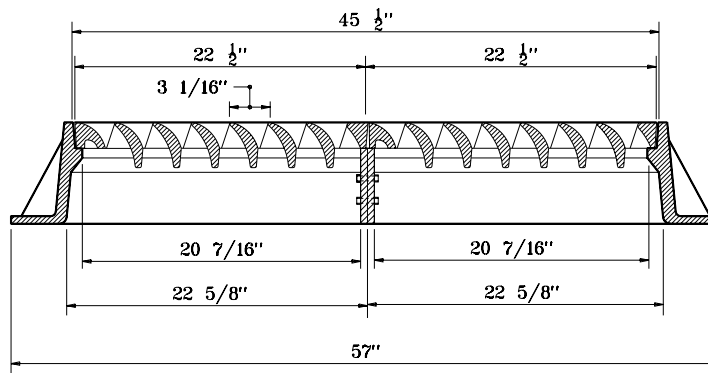
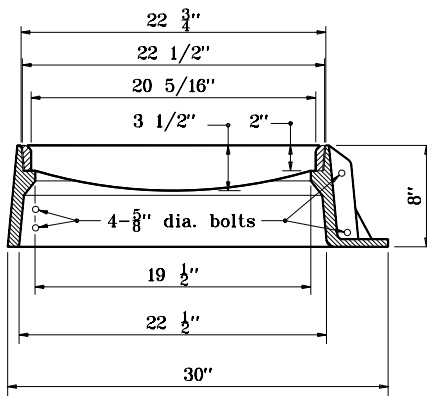


Grate is bolted to
frame with 1/2" hex head
SS bolts. 4 req'd. each grate.

BARRIER SIDE

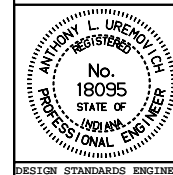


4-5/8" dia. bolts ← Left hand flow →



**FRAME AND GRATE
CASTING TYPE 5 (ALTERNATE)**

INDIANA DEPARTMENT OF TRANSPORTATION
CASTING TYPE 5 (ALTERNATE)
FRAME AND GRATE
SEPTEMBER 2001
STANDARD DRAWING NO. E 720-ICCA-03



/s/ Anthony L. Uremovich 9-04-01
DESIGN STANDARDS ENGINEER DATE

/s/ Firooz Zandi 9-04-01
CHIEF HIGHWAY ENGINEER DATE

DESIGN STANDARDS ENGINEER