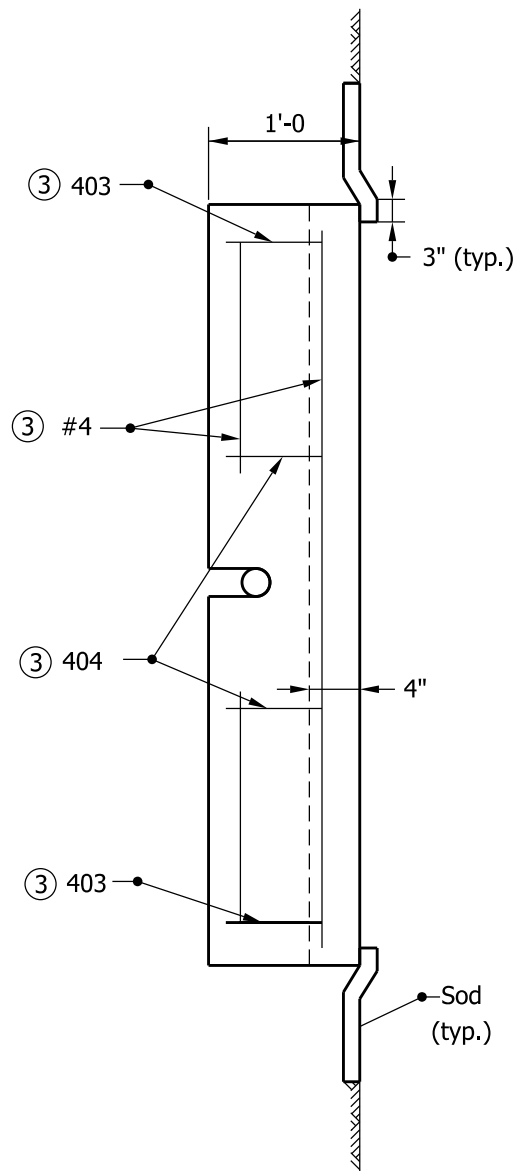
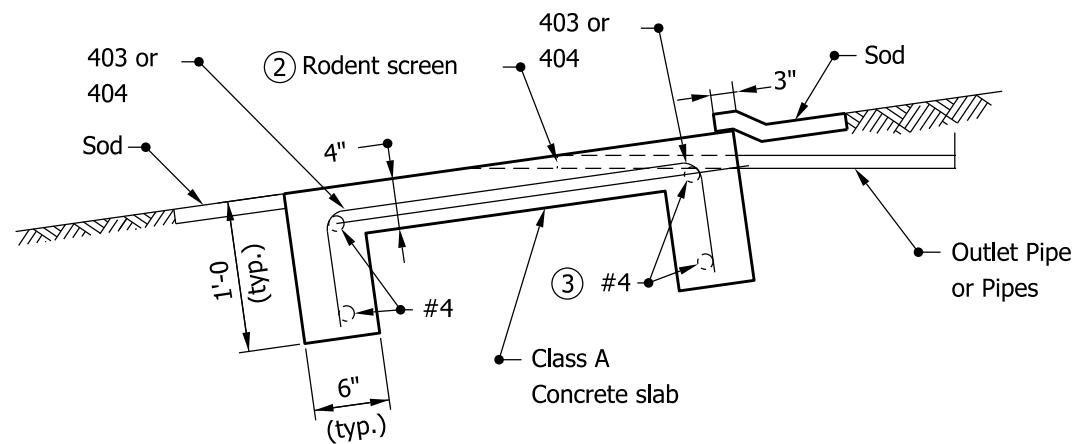


PLAN VIEW



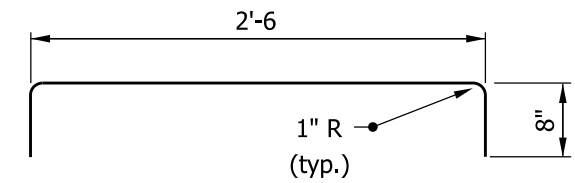
SECTION C-C



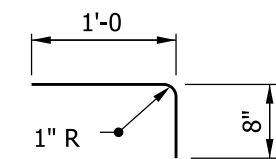
TYPICAL SECTION

**NOTE:**

1. See Standard Drawing E 718-UNDR-07 for General Notes.



403 x 3'-10



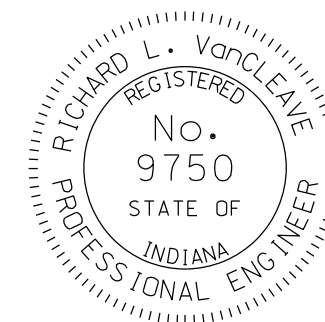
404 x 1'-8

INDIANA DEPARTMENT OF TRANSPORTATION

OUTLET PROTECTOR, TYPE 3

SEPTEMBER 2009

STANDARD DRAWING NO. E 718-UNDR-05



DESIGN STANDARDS ENGINEER

*/s/ Richard L. VanCleave* 09/01/09  
DESIGN STANDARDS ENGINEER DATE

*/s/ Mark A. Miller* 09/01/09  
CHIEF HIGHWAY ENGINEER DATE