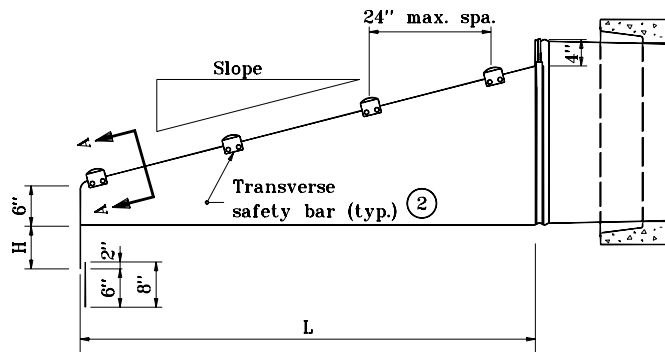
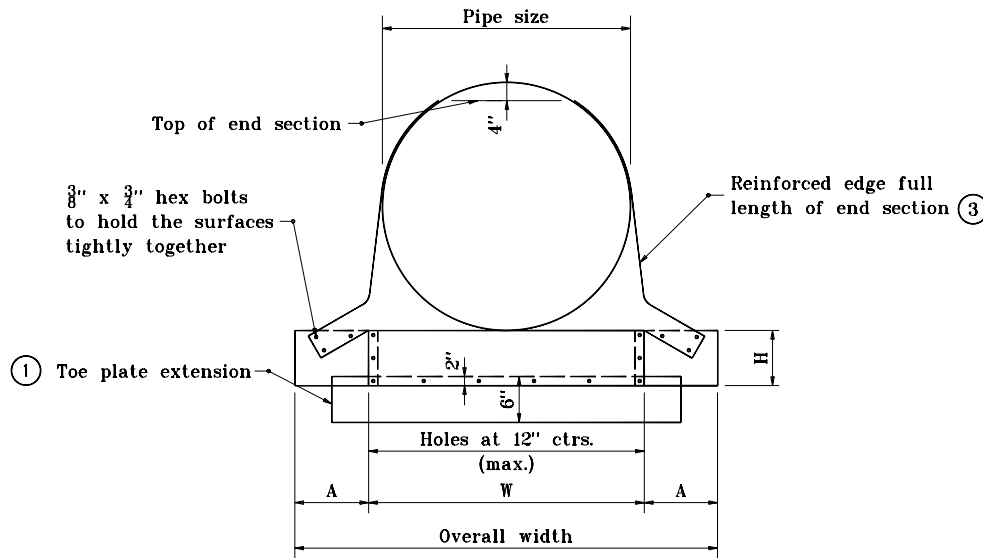


GENERAL NOTES

- ① Toe plate extension is to be the same thickness as the end section. Dimension shall be end section overall width less 6".
- ② Transverse safety bars shall be Schedule 40 galvanized steel pipe. Pipe to be galvanized after forming. Number of bars req'd will vary depending on the length of the end section.
- ③ See Standard Drawing E 715-SMES-11 for Section A-A.
- 4. See Standard Drawing E 715-SMES-12 for variable dimensions.



SIDE ELEVATION OF PARALLEL STRUCTURE END SECTION



FRONT VIEW

INDIANA DEPARTMENT OF TRANSPORTATION	
SAFETY METAL CULVERT END SECTIONS FOR SMOOTH PIPE	
JANUARY 1998	
STANDARD DRAWING NO. E 715-SMES-10	
DETAILS PLACED IN THIS FORMAT 7-27-99	
	/s/ Anthony L. Uremovich 7-27-99 DESIGN STANDARDS ENGINEER DATE
	/s/ Firooz Zandi 7-27-99 CHIEF HIGHWAY ENGINEER DATE
DESIGN STANDARDS ENGINEER	ORIGINALLY APPROVED 1-02-98