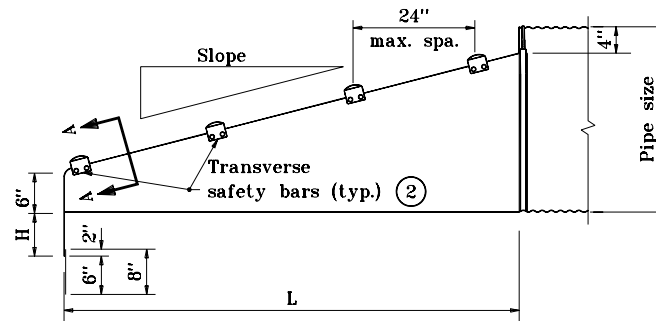


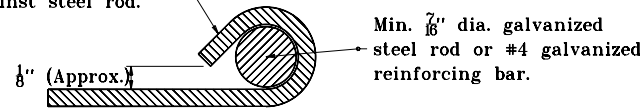
GENERAL NOTES

1. See Standard Drawing E 715-SMES-06 for variable dimensions.
- ② Transverse safety bars shall be schedule 40 galvanized steel pipe. Pipe shall be galvanized after forming. Number of bars required will vary depending on the length of the end sections.
3. The toe plate extension shall be the same thickness as the end section. The dimension shall be the end section overall width less 6".

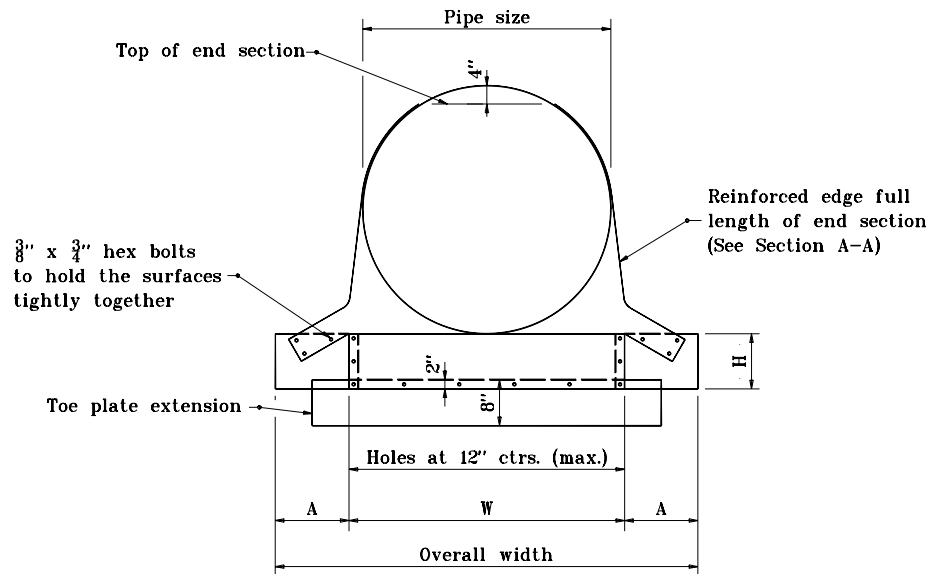


SIDE ELEVATION OF PARALLEL STRUCTURE END SECTION

Edge of sidewall sheet rolled snugly against steel rod.



SECTION A-A



FRONT VIEW

INDIANA DEPARTMENT OF TRANSPORTATION	
SAFETY METAL CULVERT END SECTIONS FOR CORRUGATED PIPE	
JANUARY 1998	
STANDARD DRAWING NO. E 715-SMES-04	
	DETAILS PLACED IN THIS FORMAT 7-27-99 /s/ Anthony L. Uremovich 7-27-99 DESIGN STANDARDS ENGINEER DATE /s/ Firooz Zandi 7-27-99 CHIEF HIGHWAY ENGINEER DATE ORIGINALLY APPROVED 1-02-98
DESIGN STANDARDS ENGINEER	DATE