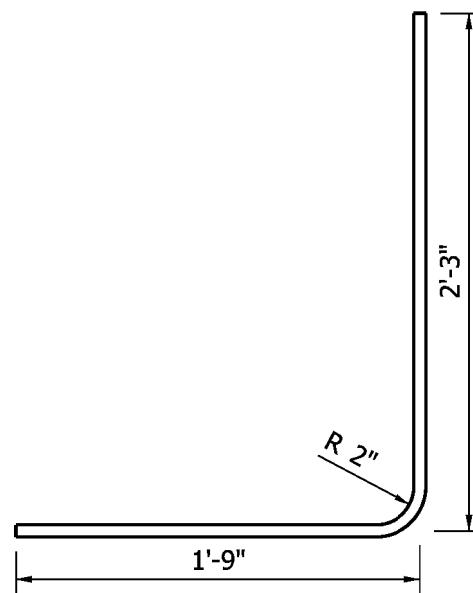
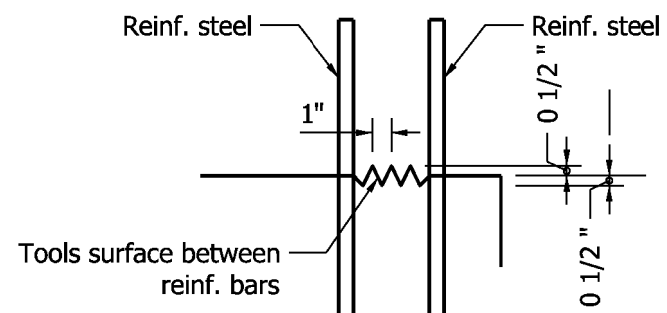


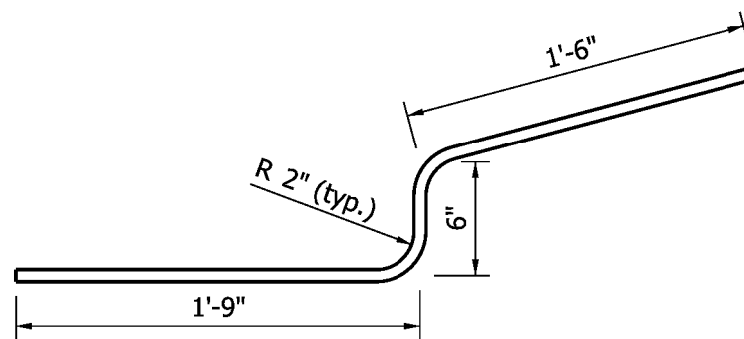
OPTIONAL COUPLING



501 x 4'-0"



TYPE A CONSTRUCTION JOINT



502 x 3'-9"

INDIANA DEPARTMENT OF TRANSPORTATION	
GRATED BOX END SECTION TYPE 1	
SEPTEMBER 2009	
STANDARD DRAWING NO. E 715-GBTO-02	
	<i>/s/ Richard L. VanCleave</i> 09/01/09 DESIGN STANDARDS ENGINEER DATE
DESIGN STANDARDS ENGINEER	<i>/s/ Mark A. Miller</i> 09/01/09 CHIEF HIGHWAY ENGINEER DATE