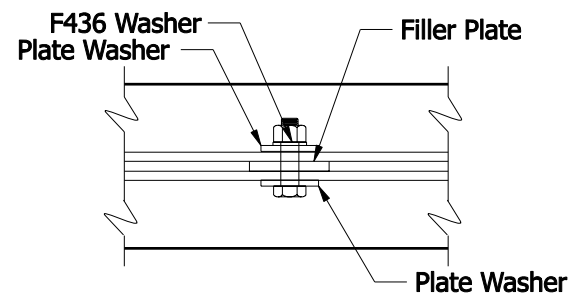
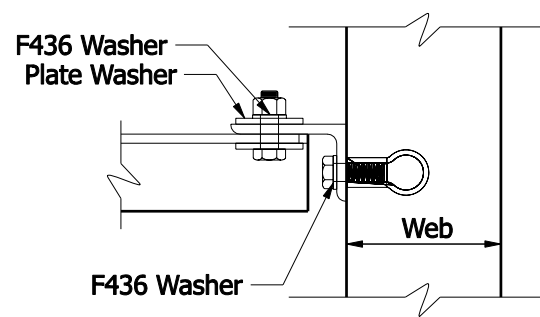


SECTION T-T
Interior Beam, Skewed Structure

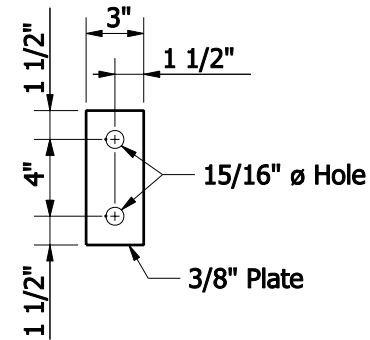
SECTION B-B
Interior Beam, Square Structure



SECTION X-X



SECTION E-E
Exterior Beam



BACKING PLATE

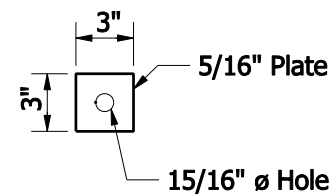
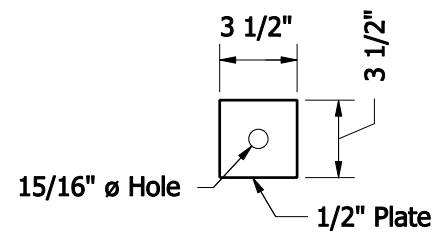
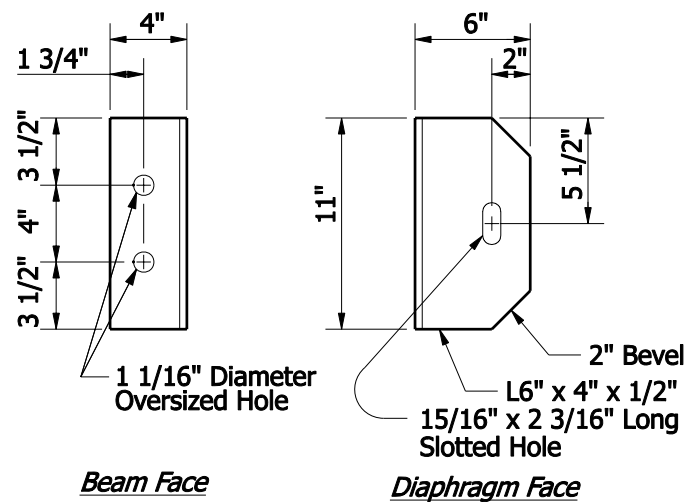


PLATE WASHER



FILLER PLATE



CLIP ANGLE

INDIANA DEPARTMENT OF TRANSPORTATION	
STEEL DIAPHRAGMS INDIANA BULB-TEES, 60 IN. OR DEEPER	
SEPTEMBER 2007	
STANDARD DRAWING NO. E 707-SDPC-06	
	<i>/s/ Richard L. VanCleave</i> 09/04/07 DESIGN STANDARDS ENGINEER DATE
DESIGN STANDARDS ENGINEER	<i>/s/ Mark A. Miller</i> 09/04/07 CHIEF HIGHWAY ENGINEER DATE