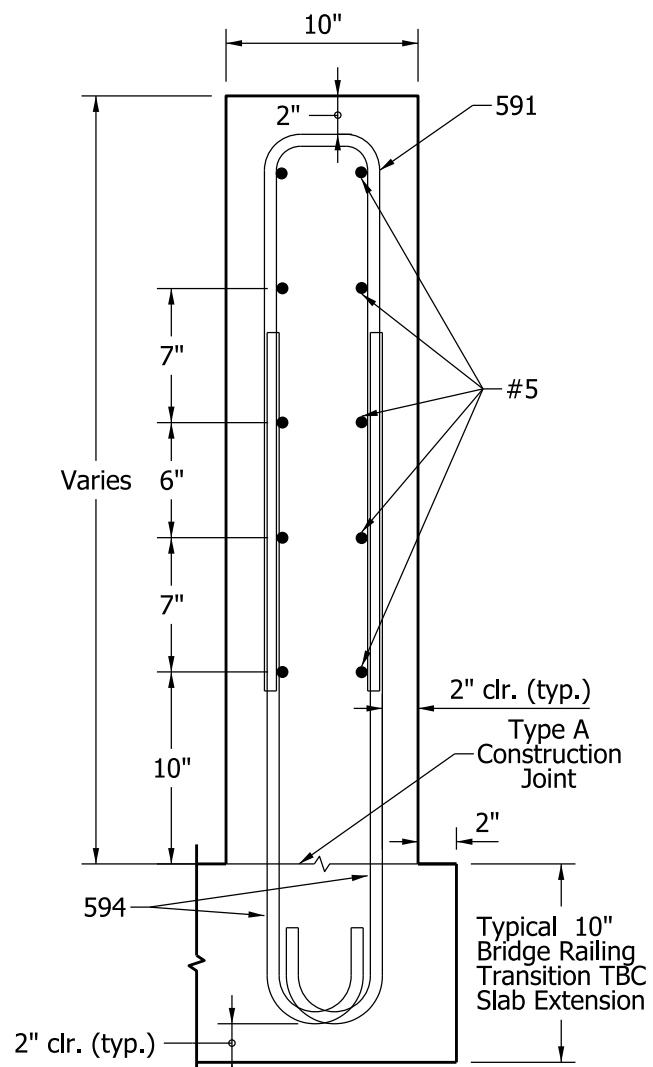
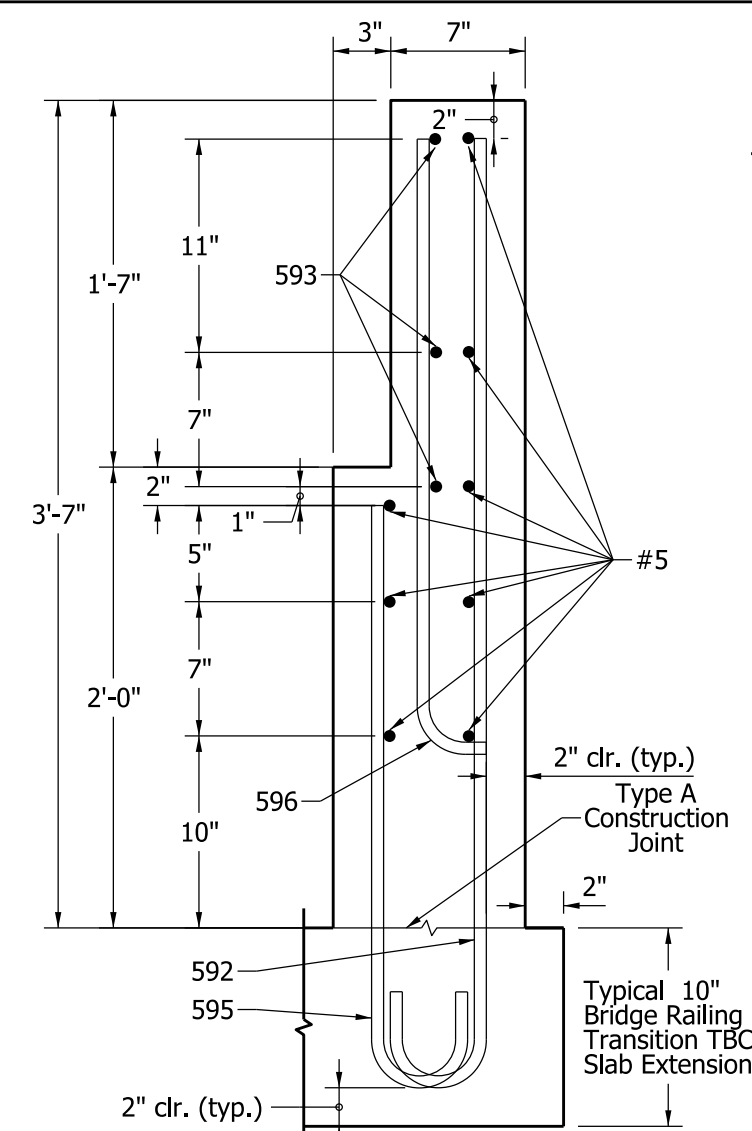


Section A - A

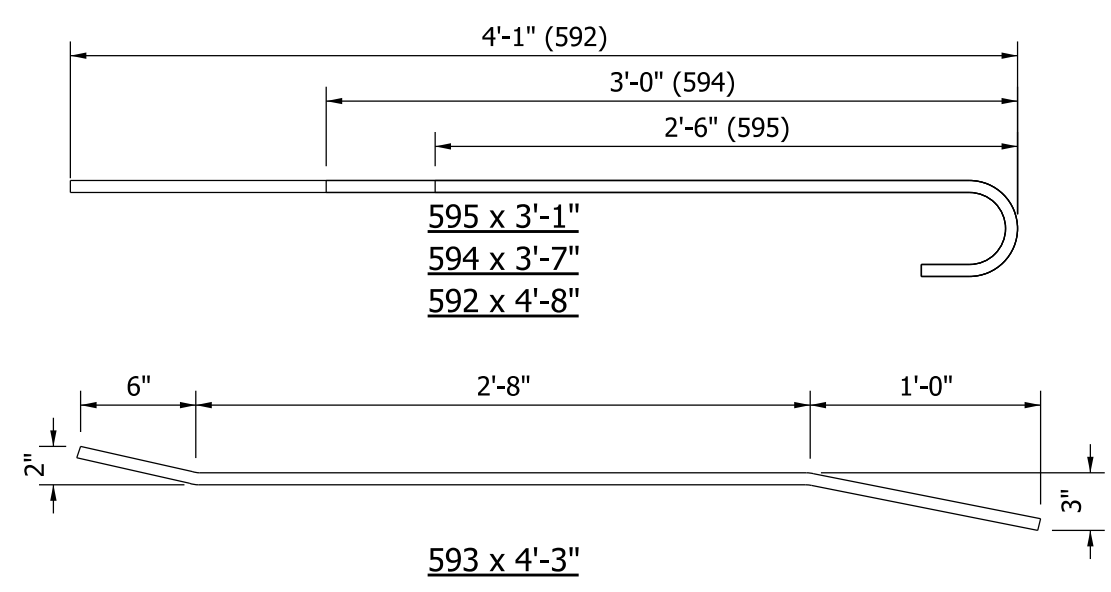
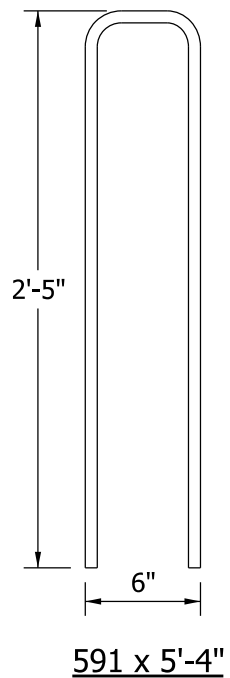
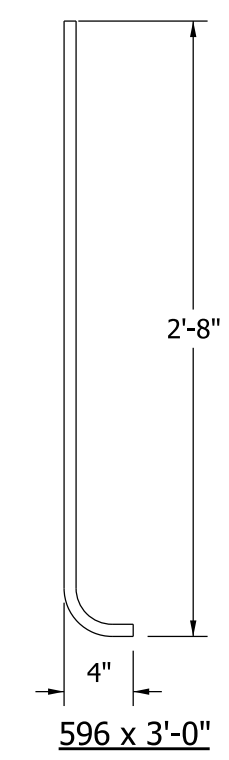


Section B - B



Section C - C

NOTES:
1. See Standard Drawing E 706-TTBP-09 for general notes.



INDIANA DEPARTMENT OF TRANSPORTATION	
CONCRETE BRIDGE RAILING TRANSITION, TPF-1	
SEPTEMBER 2009	
STANDARD DRAWING NO.	E 706-TTBP-02
	<i>/s/ Richard L. VanCleave</i> 09/01/09 DESIGN STANDARDS ENGINEER DATE
	<i>/s/ Mark A. Miller</i> 09/01/09 CHIEF HIGHWAY ENGINEER DATE
DESIGN STANDARDS ENGINEER	