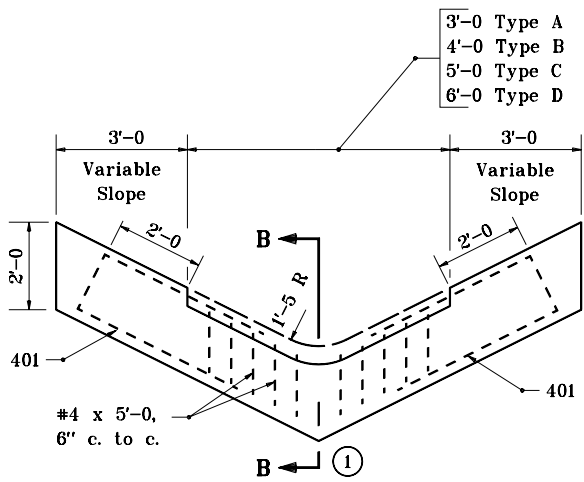


**ELEVATION VIEW**

**CUT-OFF WALL FOR PAVED SIDE DITCH TYPES A THROUGH D**



**ELEVATION VIEW**

**LUG FOR PAVED SIDE DITCH TYPES A THROUGH D**

**GENERAL NOTES**

- ① See Standard Drawing E 607-PSDT-02 for Sections A-A and B-B.
2. See Standard Drawing E 607-PSDT-03 for 401 bending diagram.

INDIANA DEPARTMENT OF TRANSPORTATION	
<b>PAVED SIDE DITCH CUT-OFF WALL AND LUG</b>	
SEPTEMBER 1997	
STANDARD DRAWING NO. <b>E 607-PSDT-04</b>	
DETAILS PLACED IN THIS FORMAT 11-15-99	
	/s/ Anthony L. Uremovich 11-15-99 DESIGN STANDARDS ENGINEER DATE
	/s/ Firooz Zandi 11-15-99 CHIEF HIGHWAY ENGINEER DATE
	ORIGINALLY APPROVED 9-01-97