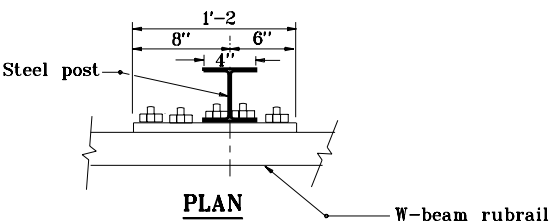
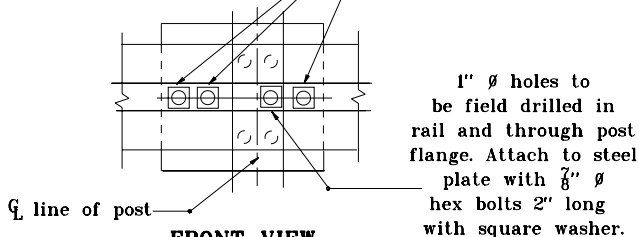


STEEL PLATE DETAIL

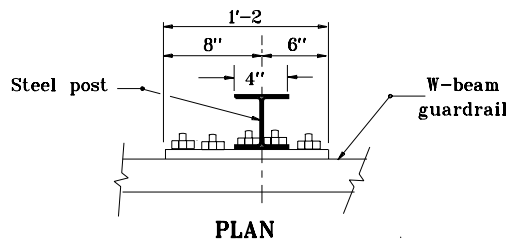
STEEL PLATE AND WASHER DETAILS



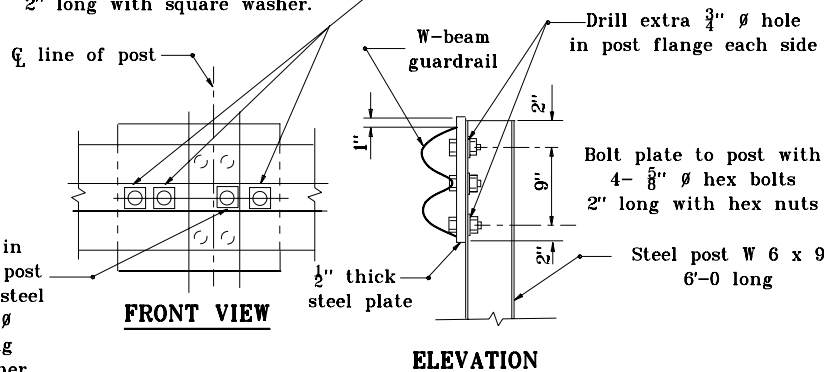
3 - 1" ϕ holes to be field drilled in rail and attached to steel plate with 7/8" ϕ hex bolts 2" long with square washer.



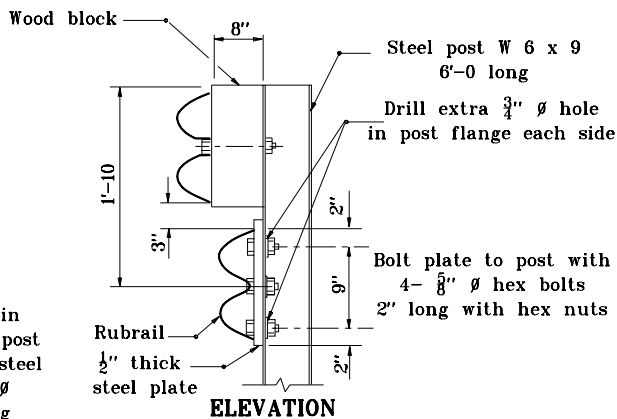
RUBRAIL ANCHOR DETAILS



3 - 1" ϕ holes to be field drilled in rail and attached to steel plate with 7/8" ϕ hex bolts 2" long with square washer.



POST ANCHOR DETAILS



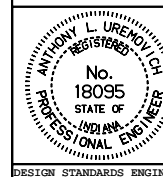
INDIANA DEPARTMENT OF TRANSPORTATION

GUARDRAIL END TREATMENT

TPPE II-COMPONENTS

SEPTEMBER 2000

STANDARD DRAWING NO. **E 601-GRET-11**



/s/ Anthony L. Uremovich 9-01-00
DESIGN STANDARDS ENGINEER DATE

/s/ Firooz Zandi 9-01-00
CHIEF HIGHWAY ENGINEER DATE

DESIGN STANDARDS ENGINEER