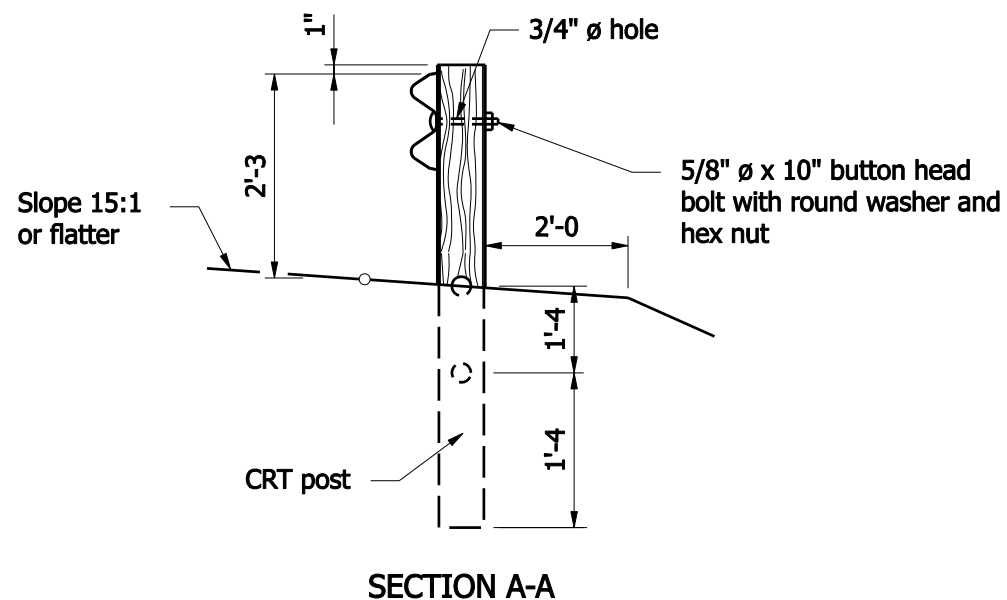
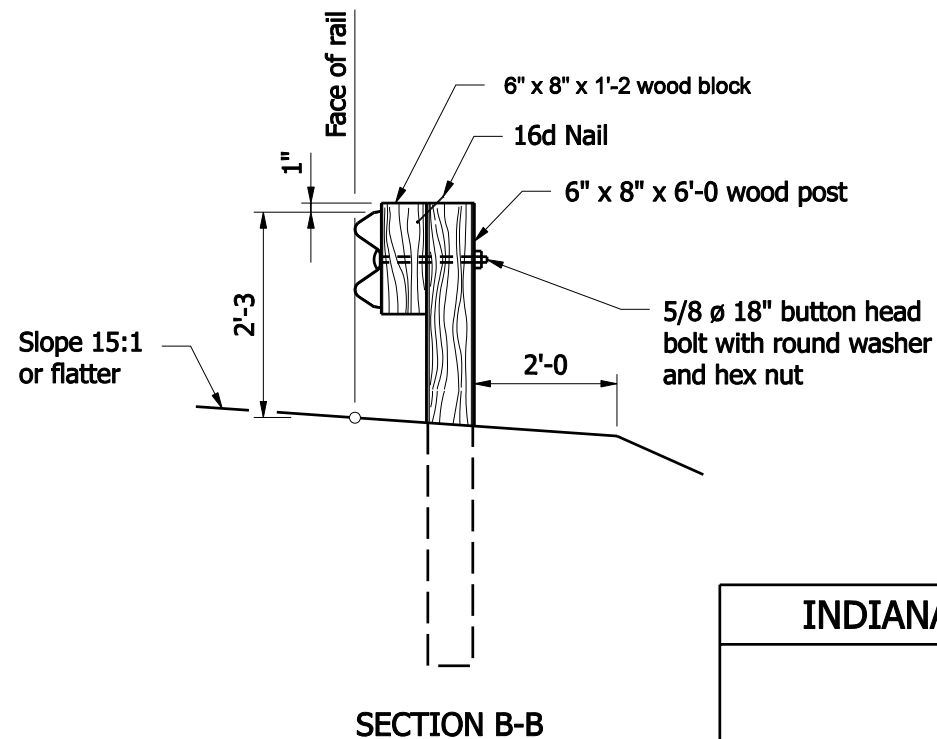


TABLE CWGS-2		
RADIUS	NO. OF CRT POSTS	REQUIRED AREA FREE OF FIXED OBJECTS L x W
8'-6"	5	25' x 15'
17'	6	30' x 15'
25'-6"	8	40' x 20'
35'	11	50' x 20'

See Standard Drawing E 601-CWGS-03 for General Notes.



INDIANA DEPARTMENT OF TRANSPORTATION	
CURVED W-BEAM GUARDRAIL SYSTEM	
SEPTEMBER 2008	
STANDARD DRAWING NO. E 601- CWGS-02	
	<i>/s/ Richard L. VanCleave</i> 09/02/08 DESIGN STANDARDS ENGINEER DATE
	<i>/s/ Mark A. Miller</i> 09/02/08 CHIEF HIGHWAY ENGINEER DATE
DESIGN STANDARDS ENGINEER	