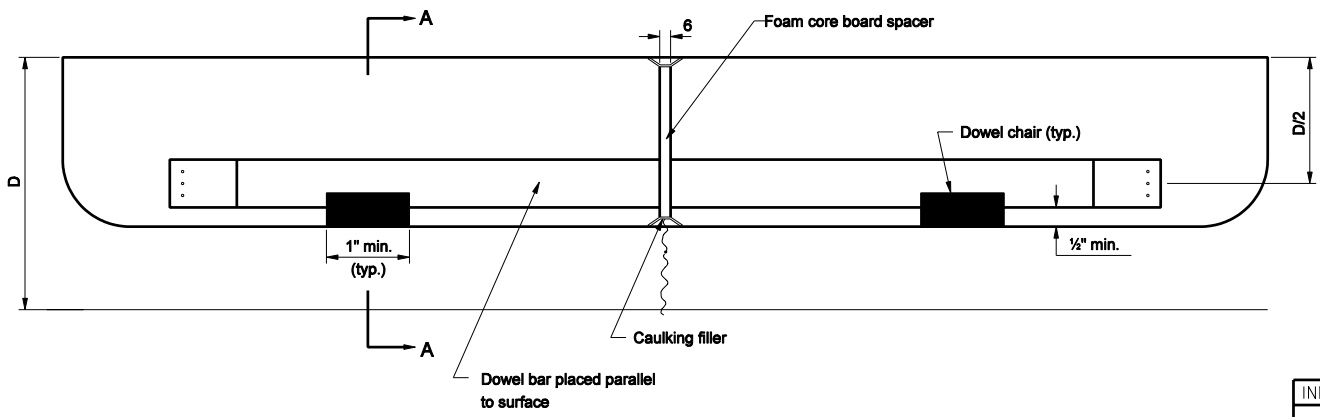
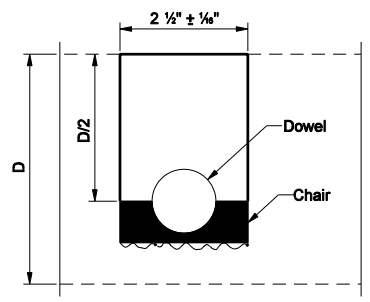


NOTES:

1. For dowel slot layout requirements, see Standard Drawing E 305-RLTC-02.



DOWEL SLOT DETAILS

DOWEL BAR SIZES	
Pavement Thickness D	Minimum Dowel Bar Diameter
Less than 12"	1 1/4"
Greater than or equal to 12"	1 1/2"

INDIANA DEPARTMENT OF TRANSPORTATION

RETROFIT LOAD TRANSFER FOR PCCP

SEPTEMBER 2004

STANDARD DRAWING NO. E 507-RLTC-01

	/s/ Richard L. VanCleave	9-01-04
	DESIGN STANDARDS ENGINEER	DATE
	/s/ Richard K. Smutzer	9-01-04
	CHIEF HIGHWAY ENGINEER	DATE

DESIGN STANDARDS ENGINEER