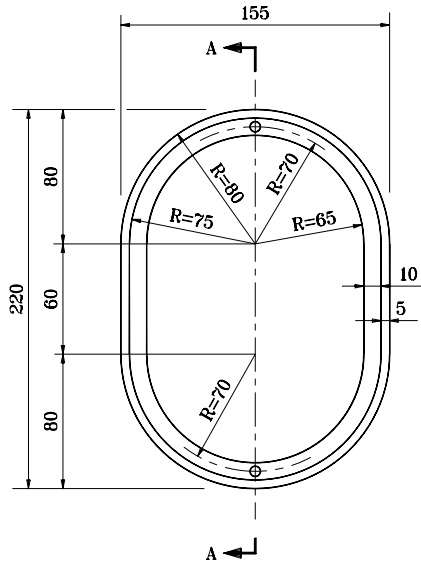
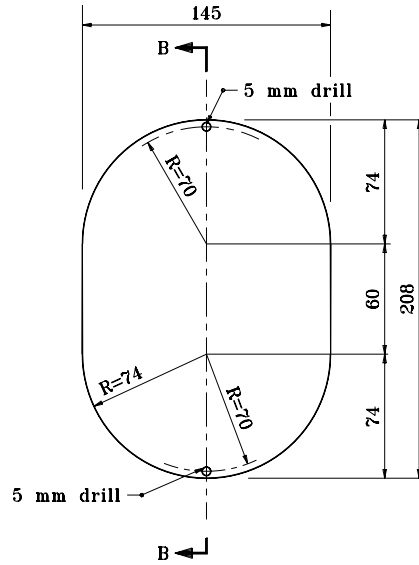


GENERAL NOTES

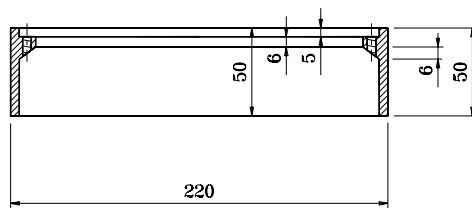
1. Drill and tap (thru) two-3.3mm holes with M4 threads.
2. Two-Stainless Steel M4x12 long round-head phillips machine screws required.
3. Sand-Cast Aluminum Alloy.



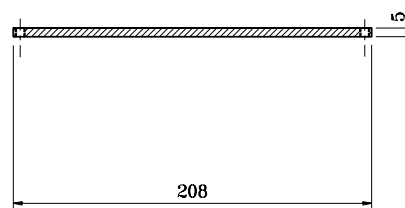
ELECTRICAL CONDULET



CONDULET COVER



SECTION A-A



SECTION B-B

All dimensions are in mm unless otherwise specified.

INDIANA DEPARTMENT OF TRANSPORTATION

ALUMINUM STRUCTURE

CONDULET DETAILS

SEPTEMBER 2001

STANDARD DRAWING NO. 802-SNOH-09

	/s/ Anthony L. Uremovich 9-04-01 DESIGN STANDARDS ENGINEER DATE
	/s/ Firooz Zandi 9-04-01 CHIEF HIGHWAY ENGINEER DATE

DESIGN STANDARDS ENGINEER