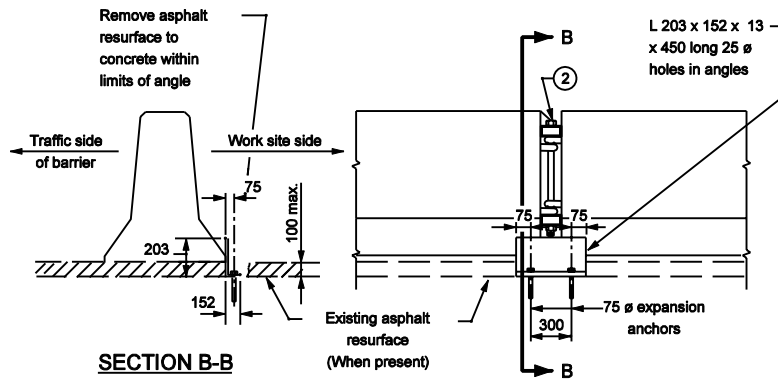


**SECTION A-A**

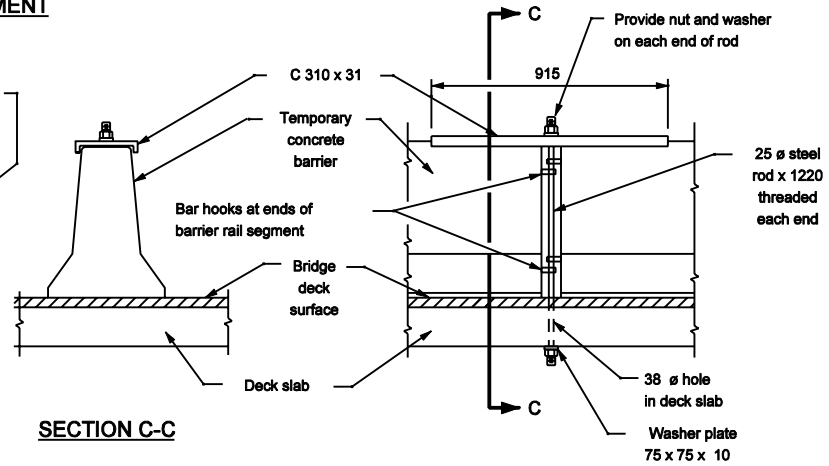
**BARRIER ANCHORAGE ON ASPHALT PAVEMENT**

- NOTES:**
1. Anchorage against lateral movement is required for temporary concrete barrier located on concrete or asphalt pavement or shoulder where it is on or within 60 ft. of a bridge or where it is used on flared alignments. The method of anchoring shall be as shown.
  2. For connection details see Standard Drawing 801-TCCB-02.
  3. Where barrier is on soil the 25ø anchor bolts shall be 900 long.



**SECTION B-B**

**BRIDGE FLOORS AND CONCRETE PAVEMENT  
STANDARD METHOD**



**SECTION C-C**

**BRIDGE FLOOR ONLY  
ALTERNATE METHOD**

**BARRIER ANCHORAGE ON CONCRETE PAVEMENT**

All Dimension are in mm unless otherwise specified

INDIANA DEPARTMENT OF TRANSPORTATION

**TEMPORARY CONCRETE BARRIER ANCHORAGE**

SEPTEMBER 2002

STANDARD DRAWING NO. 801-TCCB-04

|                           |                           |         |
|---------------------------|---------------------------|---------|
|                           | /s/ Richard L. VanCleave  | 9-03-02 |
|                           | DESIGN STANDARDS ENGINEER | DATE    |
|                           | /s/ Richard K. Smutzer    | 9-03-02 |
| DESIGN STANDARDS ENGINEER | CHIEF HIGHWAY ENGINEER    | DATE    |