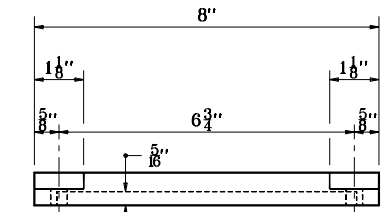
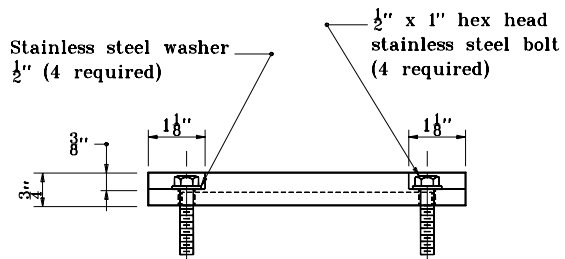
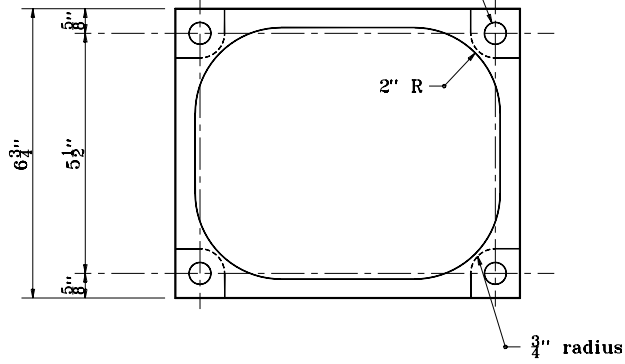
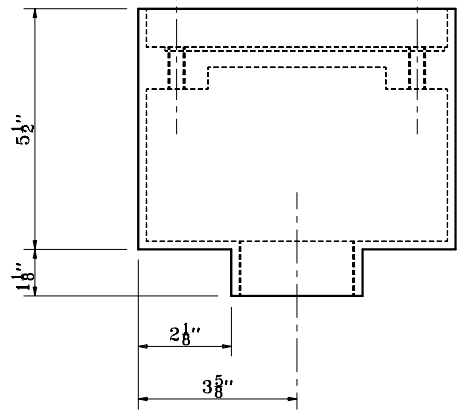


SECTION A-A



Drill $\frac{5}{8}$ " dia. hole (4 required)



INDIANA DEPARTMENT OF TRANSPORTATION	
DETAIL OF DETECTOR HOUSING	
MAY 1998	
STANDARD DRAWING NO. E 805-SGDH-02	
DETAILS PLACED IN THIS FORMAT 11-15-99	
	/s/ Anthony L. Uremovich 11-15-99 DESIGN STANDARDS ENGINEER DATE
	/s/ Firooz Zandi 11-15-99 CHIEF HIGHWAY ENGINEER DATE
	ORIGINALLY APPROVED 5-01-98