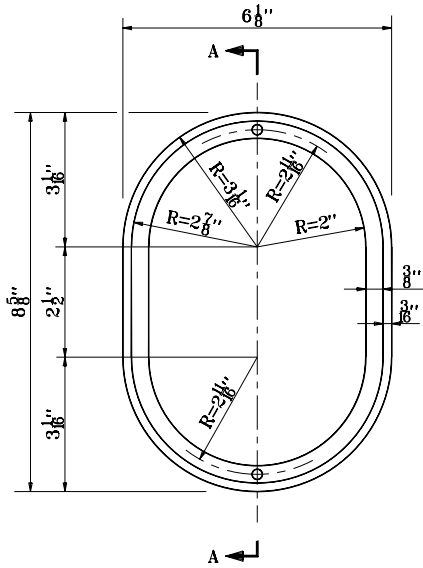
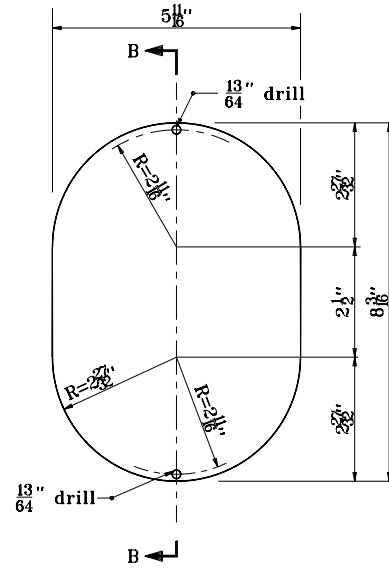


GENERAL NOTES

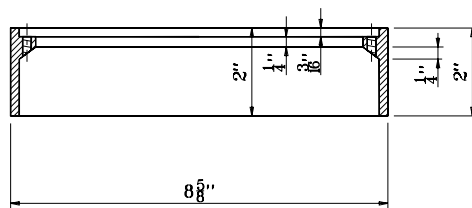
1. Drill and tap (thru) two- $\frac{1}{8}$ " dia. holes with $\frac{3}{16}$ " threads.
2. Two-Stainless Steel $\frac{3}{16}$ " x $\frac{1}{2}$ " dia. round-head phillips machine screws required.
3. Sand-Cast Aluminum Alloy.



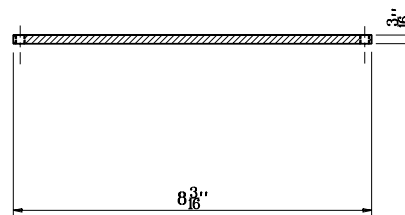
ELECTRICAL CONDULET



CONDULET COVER



SECTION A-A



SECTION B-B

INDIANA DEPARTMENT OF TRANSPORTATION	
ALUMINUM STRUCTURE CONDULET DETAILS	
SEPTEMBER 2001	
STANDARD DRAWING NO. E 802-SNOH-09	
	/s/ Anthony L. Uremovich 9-04-01 DESIGN STANDARDS ENGINEER DATE
	/s/ Firooz Zandi 9-04-01 CHIEF HIGHWAY ENGINEER DATE
DESIGN STANDARDS ENGINEER	