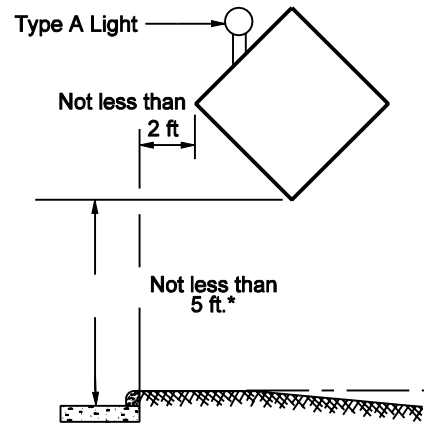
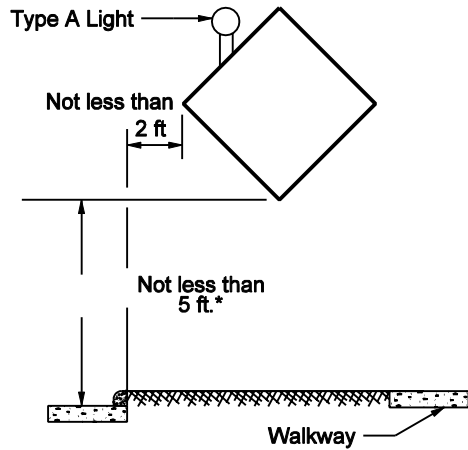


**UN-CURBED ROADWAYS**

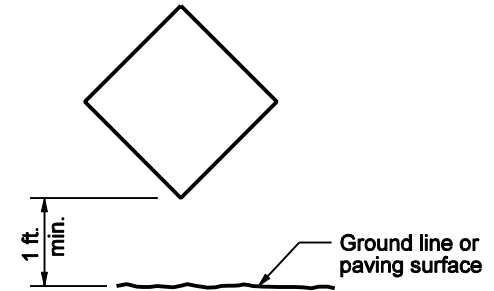


**CURBED ROADWAYS**

\* In urban districts with sidewalks and / or parking, mounting height is not to be less than 7 feet

**GENERAL NOTES**

1. See Standard Drawing E 801-TCSN-11 for additional notes
2. Signs, lights, and supports shall meet NCHRP 350 crash evaluation criteria.
- ③ An advisory speed plate, required to be placed with another construction sign, may be mounted on the post closest to the roadway at a height 4' less than the minimum mounting heights shown elsewhere on this standard drawing. The bottom of the construction warning sign shall not be lower than the top of the advisory speed plate.
4. Type A warning light required on all construction signs.



**TEMPORARY MOUNTED CONSTRUCTION SIGNS**

INDIANA DEPARTMENT OF TRANSPORTATION	
TYPICAL CONSTRUCTION SIGNS MOUNTING	
SEPTEMBER 2002	
STANDARD DRAWING NO. E 801-TCDV-05	
	<i>/s/ Richard L. VanCleave</i> 9-03-02 DESIGN STANDARDS ENGINEER DATE
	<i>/s/ Richard K. Smutzer</i> 9-03-02 CHIEF HIGHWAY ENGINEER DATE
DESIGN STANDARDS ENGINEER	