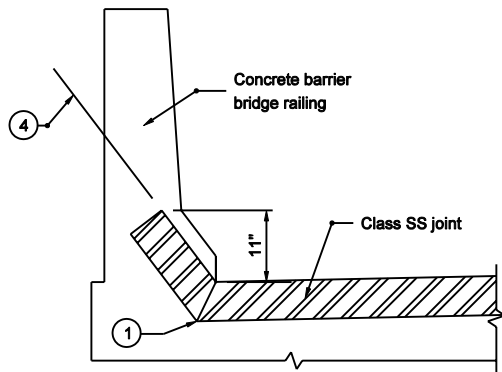
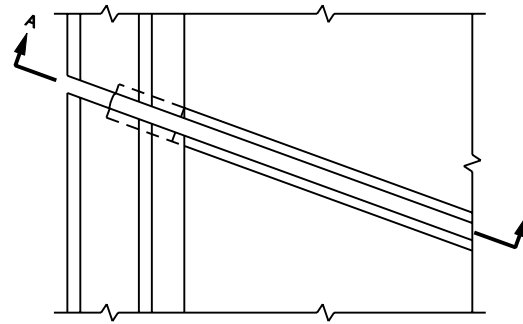


SECTION H-H

SLIDING COVER PLATE DETAIL



SECTION A-A



PLAN

CONCRETE BARRIER BRIDGE RAILING

- ① The extrusion and plate assemblies with anchors shall be miter cut and shop spliced at this location. A miter cut, vulcanized shop splice will be required in the strip seal at this location.
- ② Tool concrete edges to $\frac{1}{4}$ " to $\frac{3}{8}$ " radius.
- ③ The length of the sliding cover plate, measured along the centerline of the Class SS Joint, shall be $\frac{3}{8}$ " shorter at each end than the limits of the recess as shown on these details.
- ④ The joint shall be placed parallel to the lower sloped face of the rail with a maximum 3" depth to the top of the extrusion.
- ⑤ See Standard Drawings E 724-BSSJ-03 and -04 for details.

INDIANA DEPARTMENT OF TRANSPORTATION	
EXPANSION JOINTS CLASS SS	
SEPTEMBER 2003	
STANDARD DRAWING NO. E 724-BSSJ-08	
	/s/ Richard L. VanCleave 9-02-03 DESIGN STANDARDS ENGINEER DATE
	/s/ Richard K. Smutzer 9-02-03 CHIEF HIGHWAY ENGINEER DATE
DESIGN STANDARDS ENGINEER	