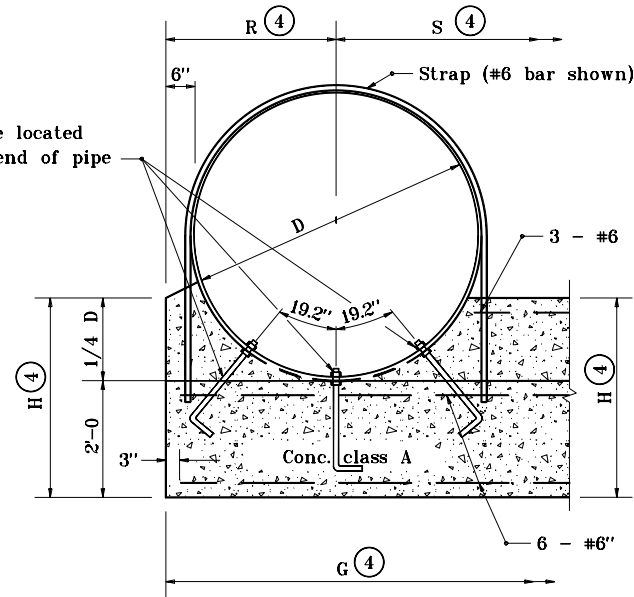
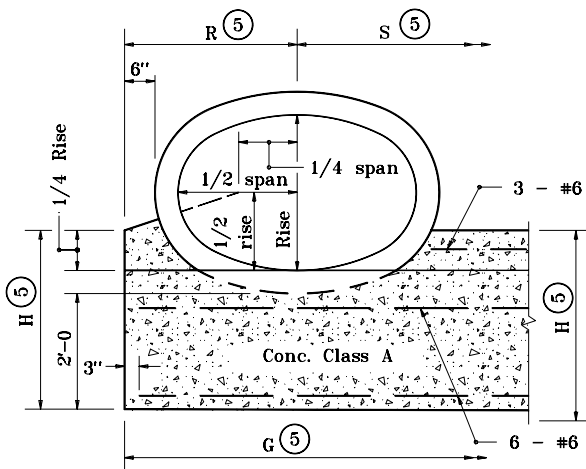


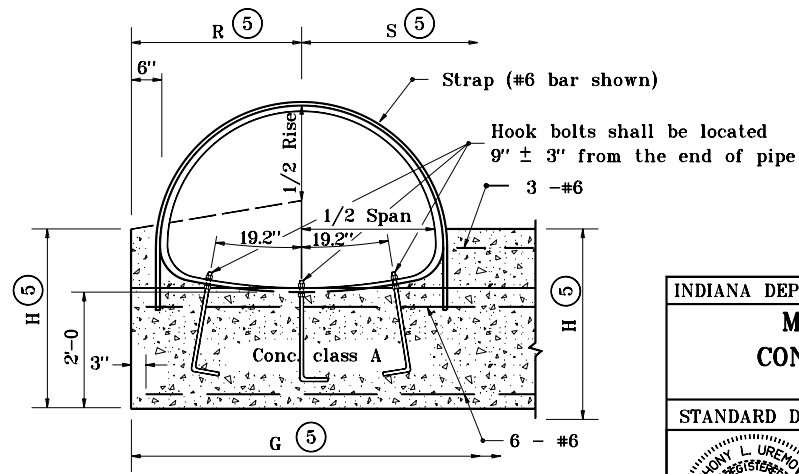
**ANCHOR FOR
REINFORCED CONCRETE PIPE
PARTIAL ELEVATION**



**ANCHOR FOR
CORRUGATED METAL PIPE
PARTIAL ELEVATION**



**ANCHOR FOR
REINFORCED CONCRETE HORIZONTAL ELLIPTICAL PIPE
PARTIAL ELEVATION**



**ANCHOR FOR CORRUGATED METAL PIPE-ARCH
PARTIAL ELEVATION**

GENERAL NOTES

1. Anchor straps shall be used at both upstream and downstream ends of all C.M. pipes with a diameter or span of 42" or greater.
 2. Hook bolts and anchor straps shall be used for all C.M. pipes with a diameter or span of 84" or greater.
 3. Riprap shall be placed at the ends of pipe structures when shown on the plans.
- ④ For dimension, enter chart on Standard Drawing E 715-ANCH-01 with known dimension D.
- ⑤ For dimension, enter chart on Standard Drawing E 715-ANCH-02 with known span and rise.

LEGEND

C.M. = Corrugated Metal

INDIANA DEPARTMENT OF TRANSPORTATION	
MULTIPLE PIPE CONCRETE ANCHOR	
JANUARY 1998	
STANDARD DRAWING NO. E 715-MPCA-02	
DETAILS PLACED IN THIS FORMAT 7-27-99	
	/s/ Anthony L. Uremovich 7-27-99 DESIGN STANDARDS ENGINEER DATE
	/s/ Firooz Zandi 7-27-99 CHIEF HIGHWAY ENGINEER DATE
	DESIGN STANDARDS ENGINEER ORIGINALLY APPROVED 1-02-98