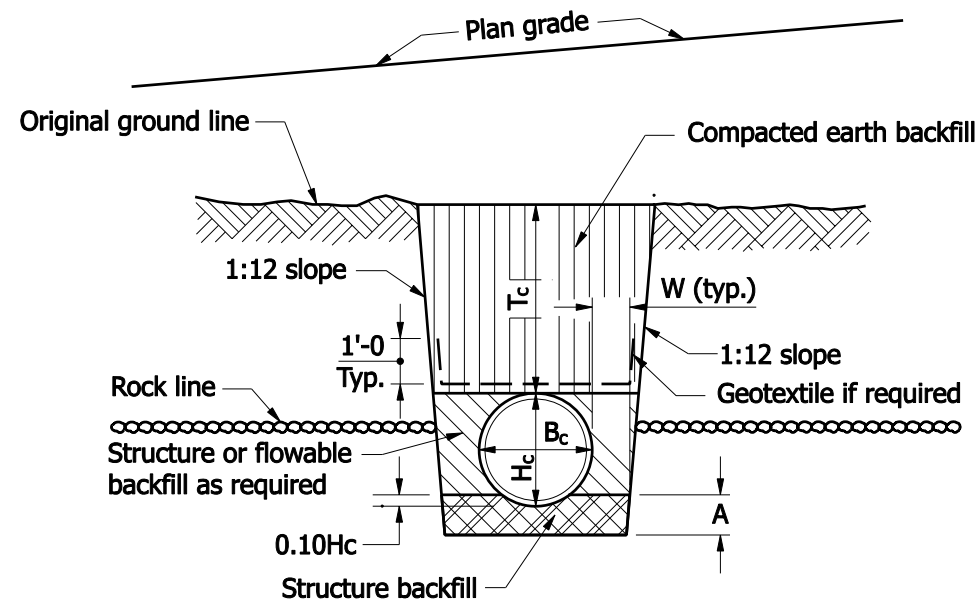


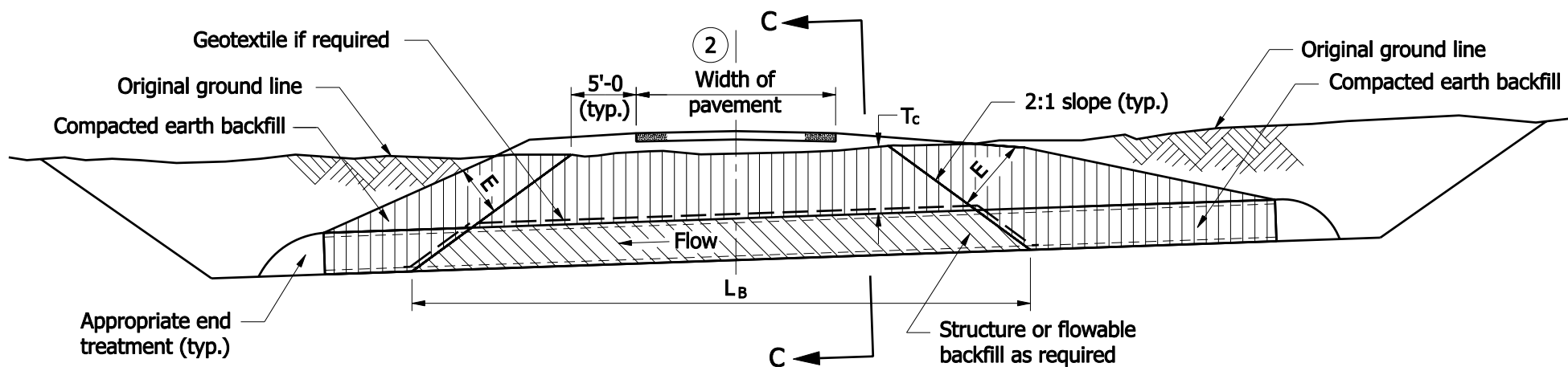
SECTION C-C



SECTION C-C
ROCK FOUNDATION

LEGEND

- H_c = Overall diameter or rise (typ.)
- B_c = Overall diameter or span
- A = 8" min. for fill height less than 16'
= 12" min. for fill height of 16' or more
- T_c = Trench cover depth over pipe
- W = $0.3 B_c$ or 9", whichever is greater
- E = Encasement
- L_B = Backfill length measured from toe to toe of the 2:1 slopes.



ELEVATION

NOTES :

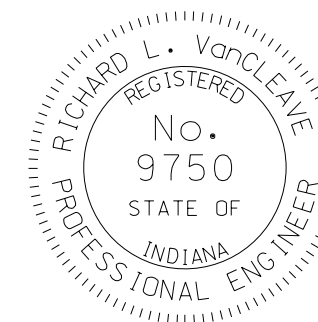
1. Protective cover shall be constructed prior to running heavy equipment over installed pipes. The minimum covers are listed below:
 - a.) 1.5' for $B_c \leq 18"$
 - b.) 3' for $18" < B_c \leq 54"$
 - c.) 4' for $B_c > 54"$
2. For backfill purposes, paved shoulders, curbs, and sidewalks are considered pavement. See Standard Drawing E 715-BKFL-10 for pavement limits when curbs, paved shoulders, or sidewalks are present.
3. Flowable or structure backfill shall be encased by compacted earth backfill. The minimum encasement shall be 2 ft. If necessary, the 2:1 slope between the flowable or structure backfill and the encasement shall be modified to maintain the minimum 2 ft encasement.

INDIANA DEPARTMENT OF TRANSPORTATION

PIPE BACKFILL METHOD 2
NEW OR EXISTING DRIVE

SEPTEMBER 2008

STANDARD DRAWING NO. E 715-BKFL-06



DESIGN STANDARDS ENGINEER

/s/ Richard L. VanCleave 09/02/08
DESIGN STANDARDS ENGINEER DATE

/s/ Mark A. Miller 09/02/08
CHIEF HIGHWAY ENGINEER DATE