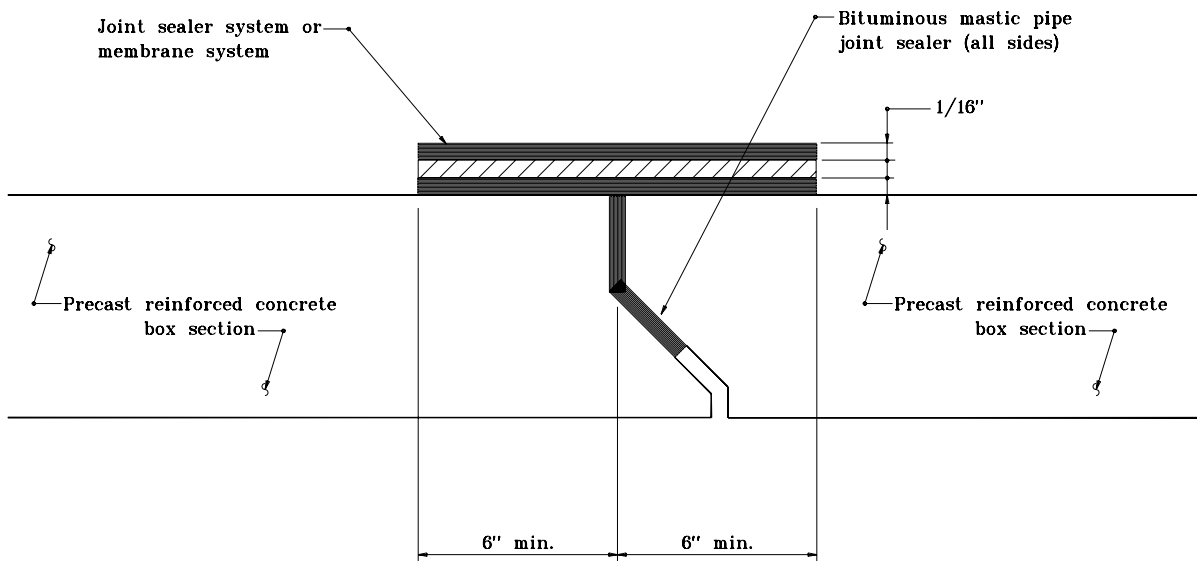


Top and sides of structure



Inside of structure

INDIANA DEPARTMENT OF TRANSPORTATION	
PRECAST REINFORCED CONCRETE BOX SECTION JOINT	
MAY 1999	
STANDARD DRAWING NO. E 714-BCJT-01	
	/s/ Anthony L. Uremovich 5-03-99 DESIGN STANDARDS ENGINEER DATE
	/s/ Donald Lucas 5-03-99 CHIEF HIGHWAY ENGINEER DATE

Source Sheet: NONE