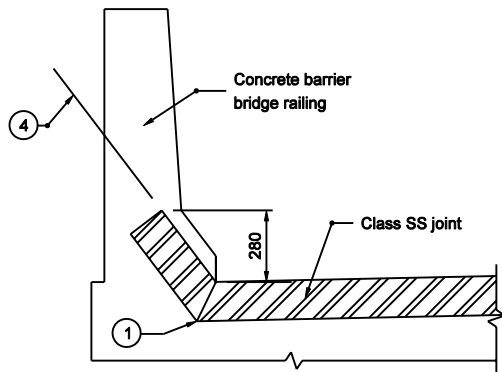
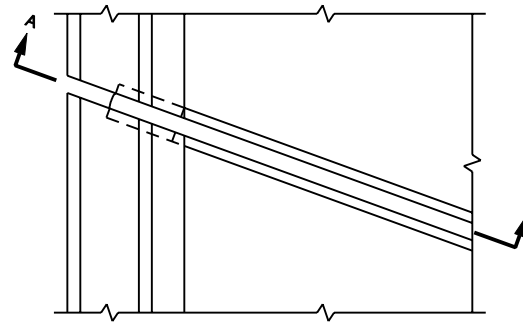


SECTION H-H

SLIDING COVER PLATE DETAIL



SECTION A-A



PLAN

CONCRETE BARRIER BRIDGE RAILING

- ① The extrusion and plate assemblies with anchors shall be miter cut and shop spliced at this location. A miter cut, vulcanized shop splice will be required in the strip seal at this location.
- ② Tool concrete edges to 5 to 10 radius.
- ③ The length of the sliding cover plate, measured along the centerline of the Class SS Joint, shall be 10 shorter at each end than the limits of the recess as shown on these details.
- ④ The joint shall be placed parallel to the lower sloped face of the rail with a maximum 75 depth to the top of the extrusion.
- ⑤ See Standard Drawings 724-BSSJ-03 and -04 for details.

All Dimension are in mm unless otherwise specified

INDIANA DEPARTMENT OF TRANSPORTATION	
EXPANSION JOINTS CLASS SS	
SEPTEMBER 2003	
STANDARD DRAWING NO. 724-BSSJ-08	
	/s/ Richard L. VanCleave 9-02-03 DESIGN STANDARDS ENGINEER DATE
	/s/ Richard K. Smutzer 9-02-03 CHIEF HIGHWAY ENGINEER DATE
DESIGN STANDARDS ENGINEER	