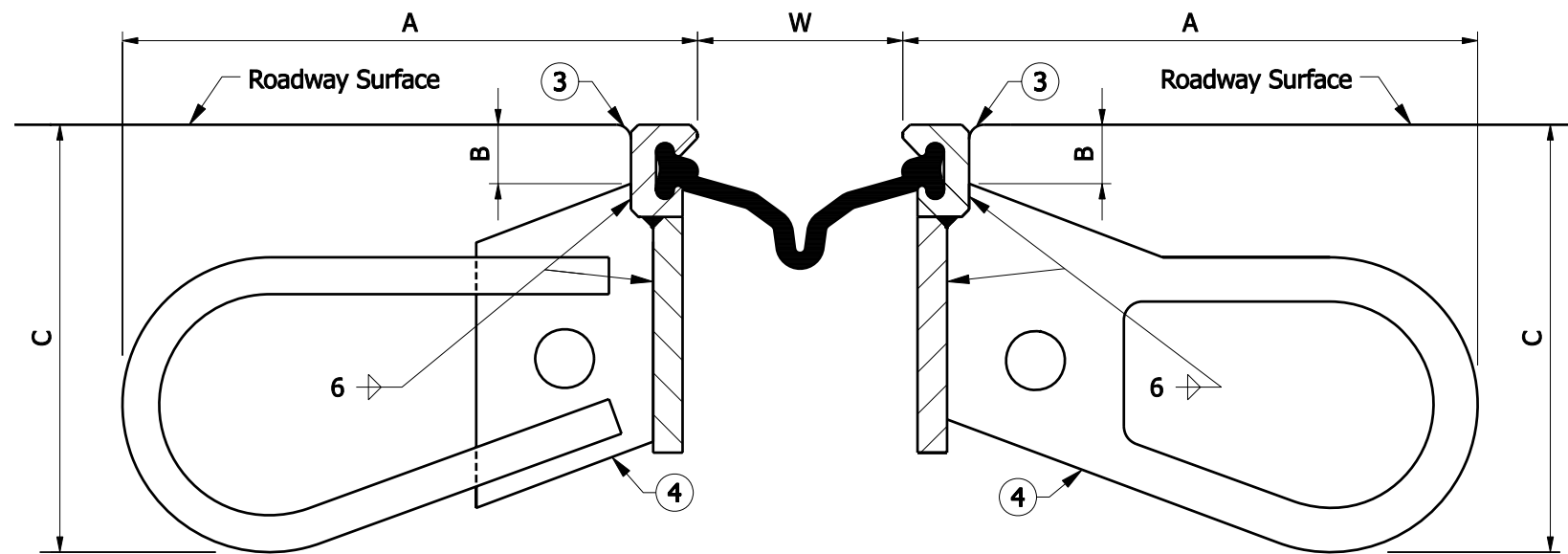


GENERAL NOTES

1. This sheet shall be used in conjunction with Standard Drawing Nos. 724-BSSJ-05 through 09.
2. Allowable expansion lengths shall not be increased for skewed structures.
- ③ Tool concrete edges to 5 to 10 radius.
- ④ Anchors shall be spaced at 230 mm.



INSTALLATION DETAIL

DIMENSIONS			
ALTERNATES	A	B	C
A-1	248	25	185
A-2			
B-1	248	24	180
B-2			
C-1	248	46	185
C-2			
D-1	248	25	185
D-2			

JOINT SETTING TABLE			
Ambient Temperature °C	DIMENSION "W"		
	Expansion Length		
	30 m-60 m	60 m-90 m	90 m-120 m
50°	54	33	13
40°	62	44	29
25°	68	55	43
15°	76	6	57
5°	84	78	71
-5°	90	89	86
-15°	98	100	102

All Dimensions are in mm unless otherwise specified.

INDIANA DEPARTMENT OF TRANSPORTATION	
EXPANSION JOINTS CLASS SS	
SEPTEMBER 2007	
STANDARD DRAWING NO. 724-BSSJ-04	
	<i>/s/ Richard L. VanCleave</i> 09/04/07 DESIGN STANDARDS ENGINEER DATE
DESIGN STANDARDS ENGINEER	<i>/s/ Mark A. Miller</i> 09/04/07 CHIEF HIGHWAY ENGINEER DATE