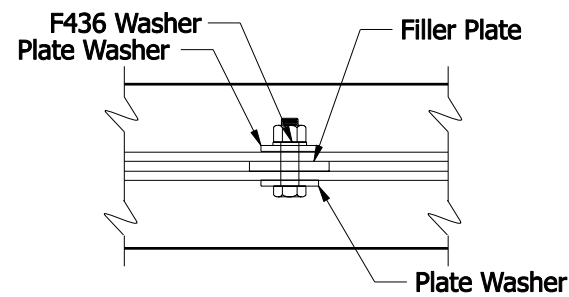
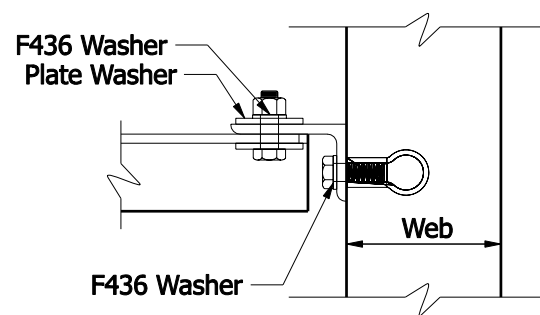


**SECTION T-T**  
*Interior Beam, Skewed Structure*

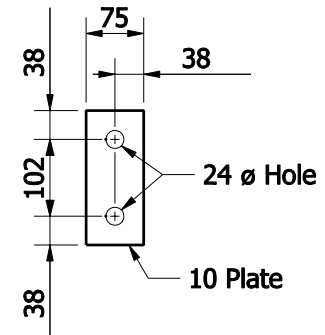
**SECTION B-B**  
*Interior Beam, Square Structure*



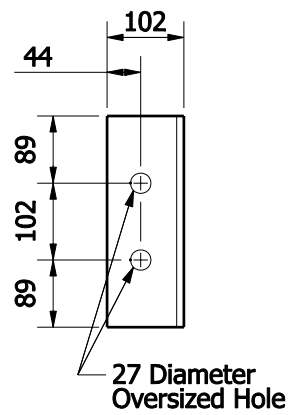
**SECTION X-X**



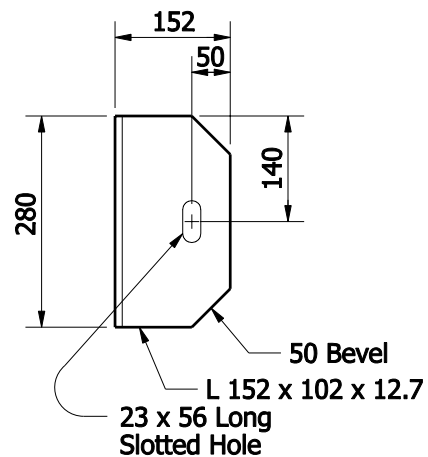
**SECTION E-E**  
*Exterior Beam*



**BACKING PLATE**

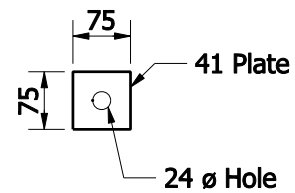


*Beam Face*

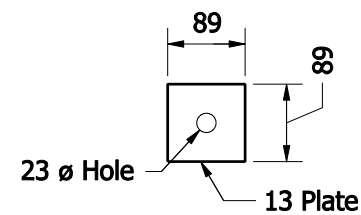


*Diaphragm Face*

**CLIP ANGLE**



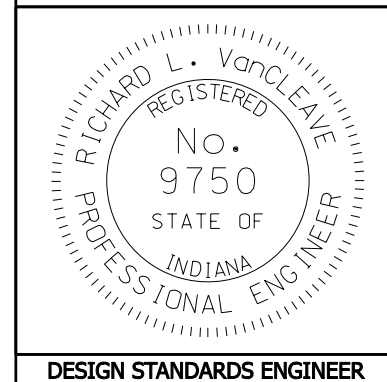
**PLATE WASHER**



**FILLER PLATE**

All Dimensions are in mm unless otherwise specified.

|   |  |
|---|--|
| <b>INDIANA DEPARTMENT OF TRANSPORTATION</b> |  |
| <b>STEEL DIAPHRAGMS</b>                     |  |
| <b>INDIANA BULB-TEES, 1524 mm OR DEEPER</b> |  |
| <b>SEPTEMBER 2007</b>                       |  |
| <b>STANDARD DRAWING NO. 707-SDPC-06</b>     |  |



|                                 |          |
|---------------------------------|----------|
| <i>/s/ Richard L. VanCleave</i> | 09/04/07 |
| DESIGN STANDARDS ENGINEER       | DATE     |
| <i>/s/ Mark A. Miller</i>       | 09/04/07 |
| CHIEF HIGHWAY ENGINEER          | DATE     |

DESIGN STANDARDS ENGINEER