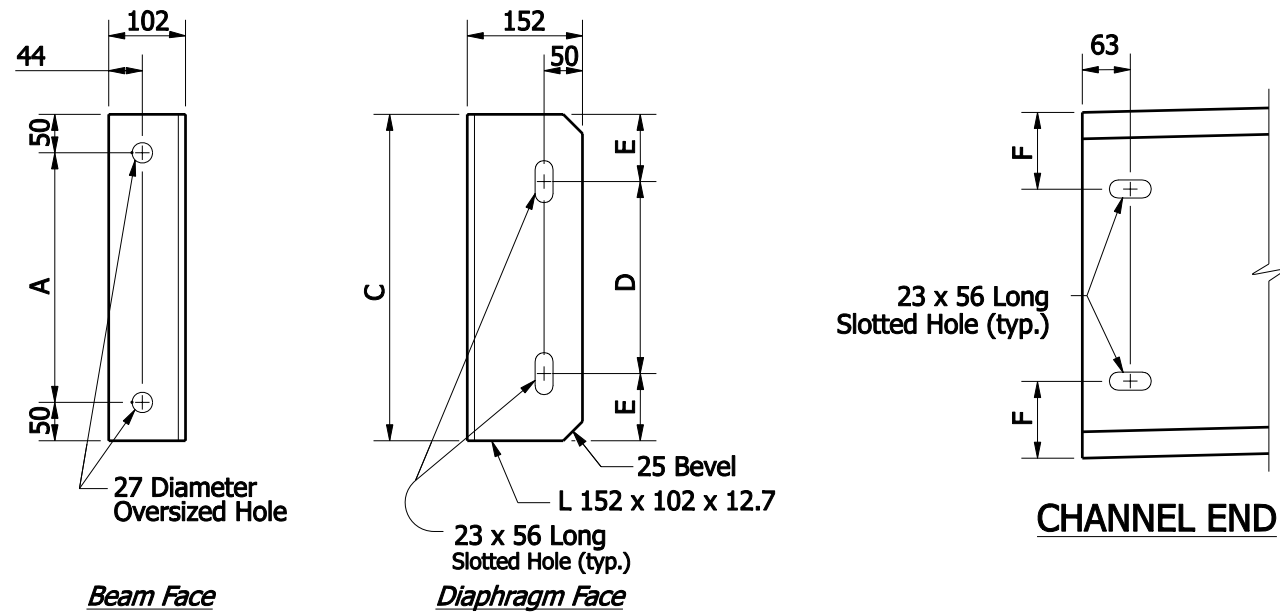


**CONNECTION DETAILS**



**BACKING PLATE**  
Skewed Structure Only

**PLATE WASHER**



**CLIP ANGLE**

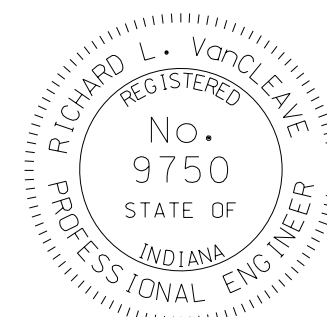
All Dimensions are in mm unless otherwise specified.

**INDIANA DEPARTMENT OF TRANSPORTATION**

**STEEL DIAPHRAGMS  
AASHTO I-BEAMS**

**SEPTEMBER 2007**

**STANDARD DRAWING NO. 707-SDPC-02**



*/s/ Richard L. vanCleave* 09/04/07  
DESIGN STANDARDS ENGINEER DATE

*/s/ Mark a. Miller* 09/04/07  
CHIEF HIGHWAY ENGINEER DATE

DESIGN STANDARDS ENGINEER