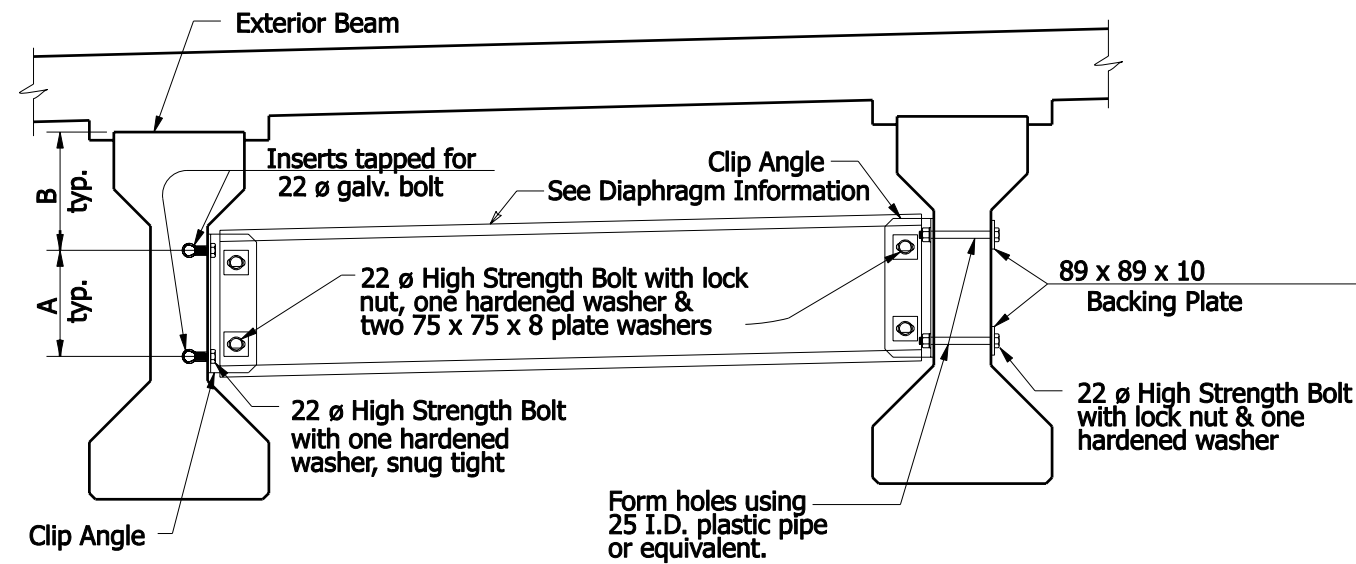


INTERMEDIATE DIAPHRAGM
Typical for Square Structure



INTERMEDIATE DIAPHRAGM
Typical for Skewed Structure

Diaphragm Information							
Beam Type	Dimension						Channel Type
	A	B	C	D	E	F	
Type II	229	305	330	152	89	75	C 310 x 31
Type III	330	368	432	254	89	100	MC 460 x 63.5
Type IV	406	445	508	254	13	100	MC 460 x 63.5

NOTES:

1. See Standard Drawing 707-SDPC-02 for connection details.

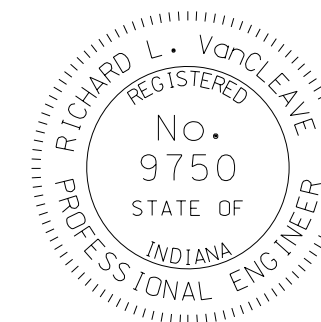
All Dimensions are in mm unless otherwise specified.

INDIANA DEPARTMENT OF TRANSPORTATION

**STEEL DIAPHRAGMS
AASHTO I-BEAMS**

SEPTEMBER 2007

STANDARD DRAWING NO. 707-SDPC-01



DESIGN STANDARDS ENGINEER

/s/ Richard L. VanCleave 09/04/07
DESIGN STANDARDS ENGINEER DATE

/s/ Mark A. Miller 09/04/07
CHIEF HIGHWAY ENGINEER DATE