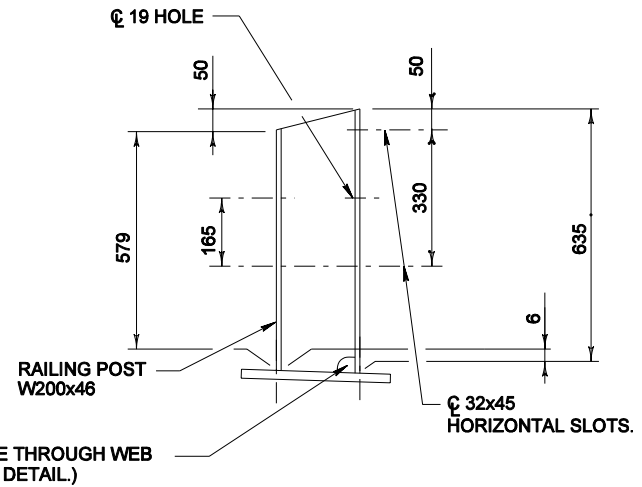


RAILING SECTION

TYPICAL RAILING

NOTE:

1. For Drain Hole Detail See Standard Drawing 706-BRTF-09



ELEVATION-POST

All dimensions are in mm unless otherwise specified

INDIANA DEPARTMENT OF TRANSPORTATION

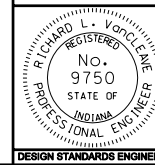
CONCRETE BRIDGE RAILING

TYPE 1F-2

MISCELLANEOUS DETAILS

SEPTEMBER 2005

STANDARD DRAWING NO. 706-BRTF-03



/s/ Richard L. VanCleave 3-01-05
DESIGN STANDARDS ENGINEER DATE

/s/ Richard K. Smutzer 3-01-05
CHIEF HIGHWAY ENGINEER DATE

DESIGN STANDARDS ENGINEER