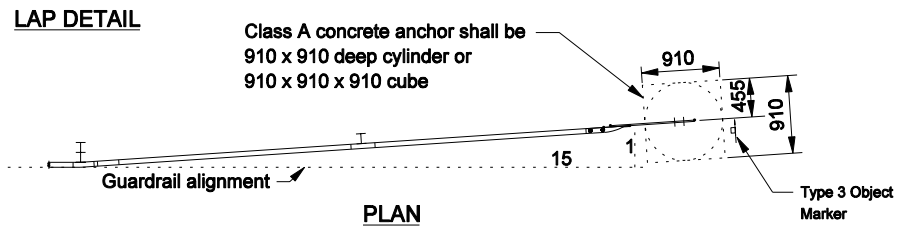
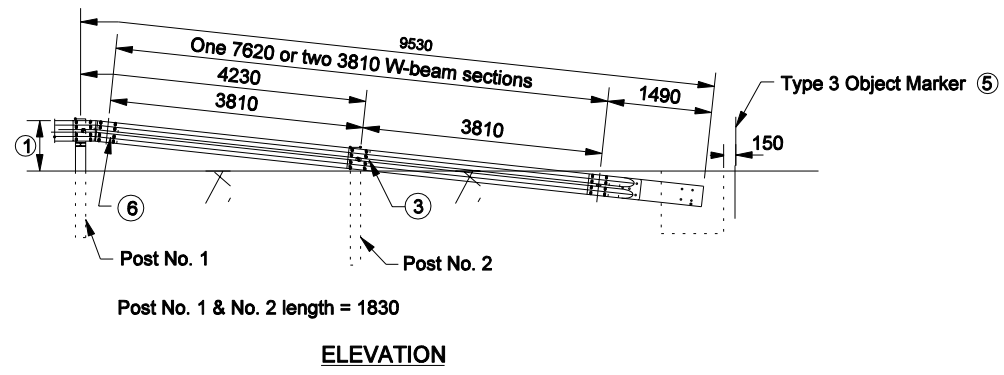


CONCRETE ANCHOR DETAIL



PLAN

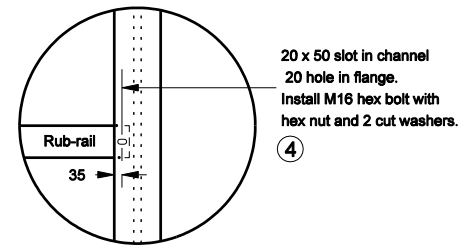


ELEVATION

Post No. 1 & No. 2 length = 1830



GENERAL NOTES

- ① The top of rail height at this post shall match the height of the adjacent guardrail.
2. Installation of guardrail end treatment type I at the end of a run of rub-rail type guardrail shall require the relocation of the rub-rail as shown.
- ③ See Standard Drawing 601-GRET-04 for Post No.2 Connection Detail.
- ④ If rub-rail is not spliced at post, the channel shall be cut and repositioned behind the post flange.
- ⑤ See Standard Drawing 808-MKNB-03 for Object Marker Type 3 Details.
- ⑥ See Standard Drawing 601-GRET-04 for Splice Plate Assembly Detail.



RUB-RAIL RELOCATION DETAIL

All dimensions are in mm unless otherwise specified

INDIANA DEPARTMENT OF TRANSPORTATION	
GUARDRAIL END TREATMENT TYPE I	
SEPTEMBER 2006	
STANDARD DRAWING NO. 601-GRET-05	
	/s/ Richard L. VanCleave 9-01-06 DESIGN STANDARDS ENGINEER DATE
	/s/ Richard K. Smutzer 9-01-06 CHIEF HIGHWAY ENGINEER DATE