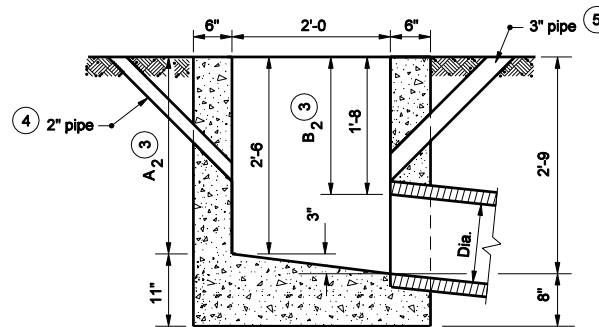


BRICK OR BLOCK



CONCRETE

GENERAL NOTES

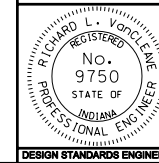
1. Brick, block, or concrete may be used.
- 2 T = 8" for brick structure
T = 6" for segmental block structure
- 3 If inlet pipe is required, A₁, B₁, A₂, and B₂ shall be increased or decreased 1'-0", as directed
- 4 2" pipe drain from bottom of curb to inlet. Aggregate to be placed around inlet end of pipe.
- 5 3" min. dia. pipe to be kept open for drainage of subgrade or base until surface is placed.

INDIANA DEPARTMENT OF TRANSPORTATION

INLET TYPE J

SEPTEMBER 2005

STANDARD DRAWING NO. E 720-INST-06



/s/ Richard L. VanCleave 9-01-05
DESIGN STANDARDS ENGINEER DATE

/s/ Richard K. Smutzer 9-01-05
CHIEF HIGHWAY ENGINEER DATE

DESIGN STANDARDS ENGINEER