

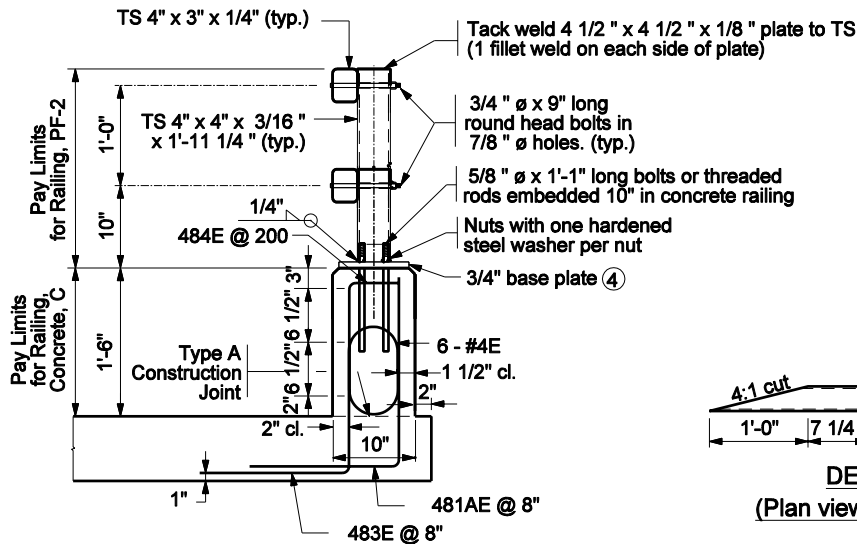
8 - 3/4" ϕ x 1'-0" long round head bolts in 7/8" ϕ holes. (4 ea. rail) Holes are to be slotted as required for expansion.

* NOTE: Field measure distance to holes on concrete transition.

ELEVATION

NOTES :

1. All chamfered edges shall be 1".
2. Intermediate railing splices shall be placed every 20 ft. with center of connection at span quarter points.
3. See Standard Drawing E 706-BRPP-05 for railing tube details and inner sleeve details.
4. See Standard Drawing E 706-BRPP-06 for base plate detail, bearing plate detail, and reinforcing steel bar bends.
5. See Standard Drawings E 706-TTBP-03, and E 706-TTBP-04 for Concrete Bridge Railing Transition, TPS-2.
6. See Standard Drawing E 703-BRST-01 for standard 180° bar bending details.
7. All reinforcing bars designated "E" shall be epoxy coated.



TYPICAL SECTION



DETAIL A
(Plan view of both rails)

INDIANA DEPARTMENT OF TRANSPORTATION	
RAILING, PF-2	
SEPTEMBER 2005	
STANDARD DRAWING NO. E 706-BRPP-02	
	/s/ Richard L. VanCleave 9-01-05 DESIGN STANDARDS ENGINEER DATE
	/s/ Richard K. Smutzer 9-01-05 CHIEF HIGHWAY ENGINEER DATE
DESIGN STANDARDS ENGINEER	