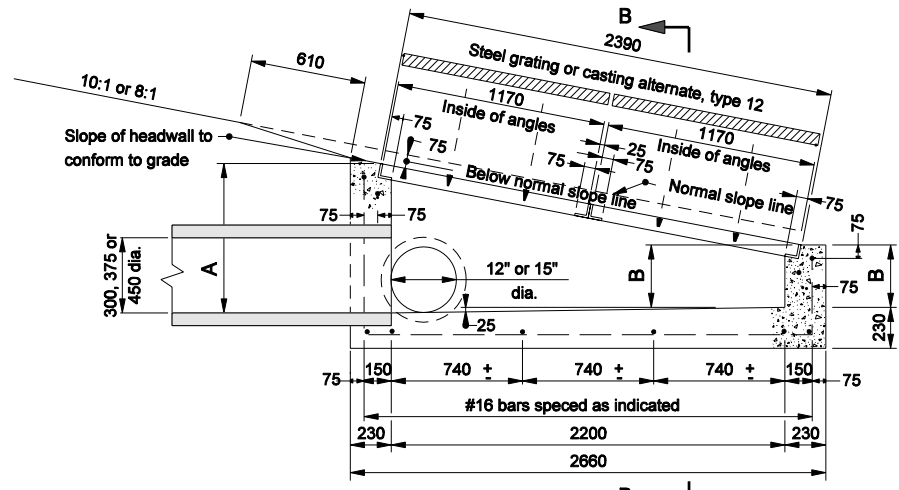
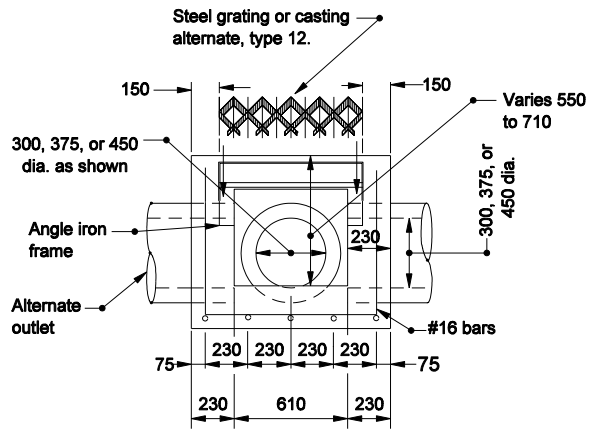


**SECTION A-A**  
Showing Grate Slope of 6:1



**SECTION A-A**  
Showing Grate Slope of 8:1 or 10:1

TYPE N INLET						
PIPE SIZE	6:1		8:1		10:1	
	A	B	A	B	A	B
300	550	130	550	225	550	280
375	630	210	630	310	630	370
450	710	290	710	390	710	450



**SECTION B-B**

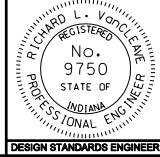
All dimensions are in mm unless otherwise specified

INDIANA DEPARTMENT OF TRANSPORTATION

**INLET TYPE N**

SEPTEMBER 2005

STANDARD DRAWING NO. 720-INST-08



/s/ Richard L. VanCleave 9-01-05  
DESIGN STANDARDS ENGINEER DATE

/s/ Richard K. Smutzer 9-01-05  
CHIEF HIGHWAY ENGINEER DATE

DESIGN STANDARDS ENGINEER