

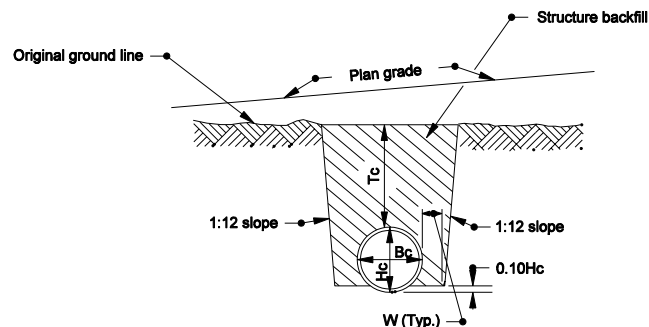
**SECTION B-B
ROCK FOUNDATION**

LEGEND

- Hc = Overall diameter or rise (Typ.)
- Bc = Overall diameter or span
- A = 200 min. for fill height up to 5.0 m
= 300 min. for fill height of 5.0 m or more
- Tc = Trench cover depth
- W = 0.3 Bc or 230, whichever is greater
- ⑦ E = Encasement

NOTE

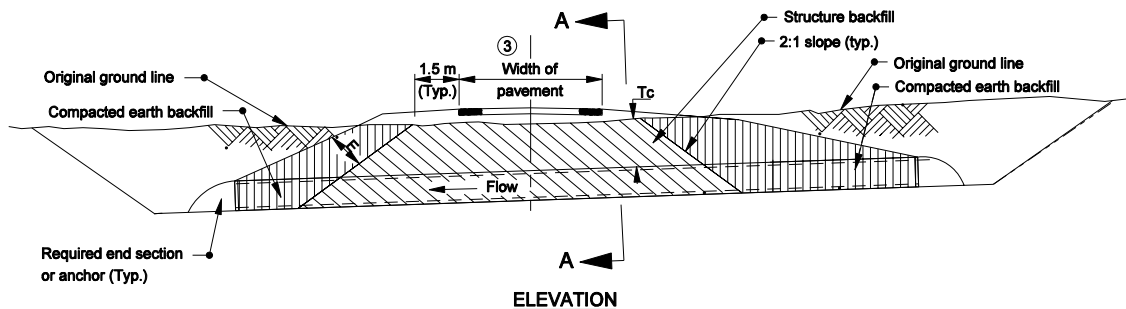
1. Refer to Standard Drawing 715-BKFL-09 for general notes.



SECTION B-B

METHOD 1 BACKFILL

Structures under mainline pavement and public road approaches.



ELEVATION

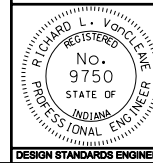
All Dimensions are in mm unless otherwise specified

INDIANA DEPARTMENT OF TRANSPORTATION

**PIPE STRUCTURE BACKFILL
TRENCH INSTALLATIONS**

SEPTEMBER 2005

STANDARD DRAWING NO. 715-BKFL-03



/s/ Richard L. VanCleave 9-01-05
DESIGN STANDARDS ENGINEER DATE

/s/ Richard K. Smutzer 9-01-05
CHIEF HIGHWAY ENGINEER DATE