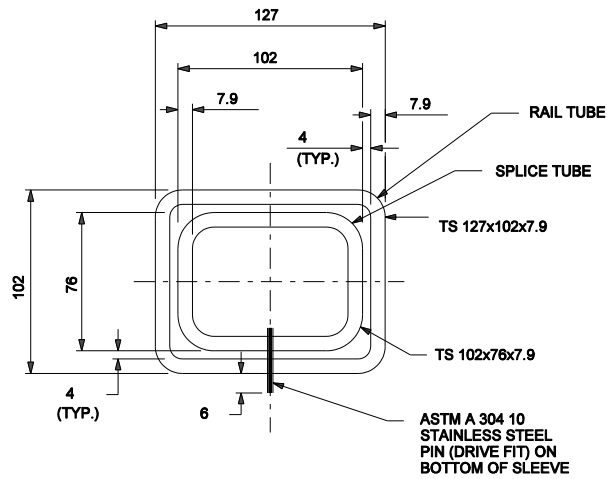


RAIL SPLICE DETAIL

TS 127x102x7.9 RAIL SPLICE SHOWN;
TS 51x51x6.4 RAIL SPLICE SIMILAR



SECTION B-B

RAIL SPLICE TABLE

A (RAIL TUBE)	B (SPLICE TUBE)
TS 127x102x7.9	TS 102x76x7.9
TS 51x51x6.4	30x30 ROD 250 MPA

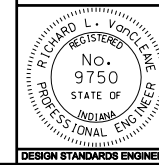
All dimensions are in mm unless otherwise specified

INDIANA DEPARTMENT OF TRANSPORTATION

CONCRETE BRIDGE RAILING TYPE
TF-2. RAILING SPLICE DETAIL

SEPTEMBER 2005

STANDARD DRAWING NO. 706-BRTF-08



/s/ Richard L. VanCleave 9-01-05
DESIGN STANDARDS ENGINEER DATE

/s/ Richard K. Smutzer 9-01-05
CHIEF HIGHWAY ENGINEER DATE

DESIGN STANDARDS ENGINEER