

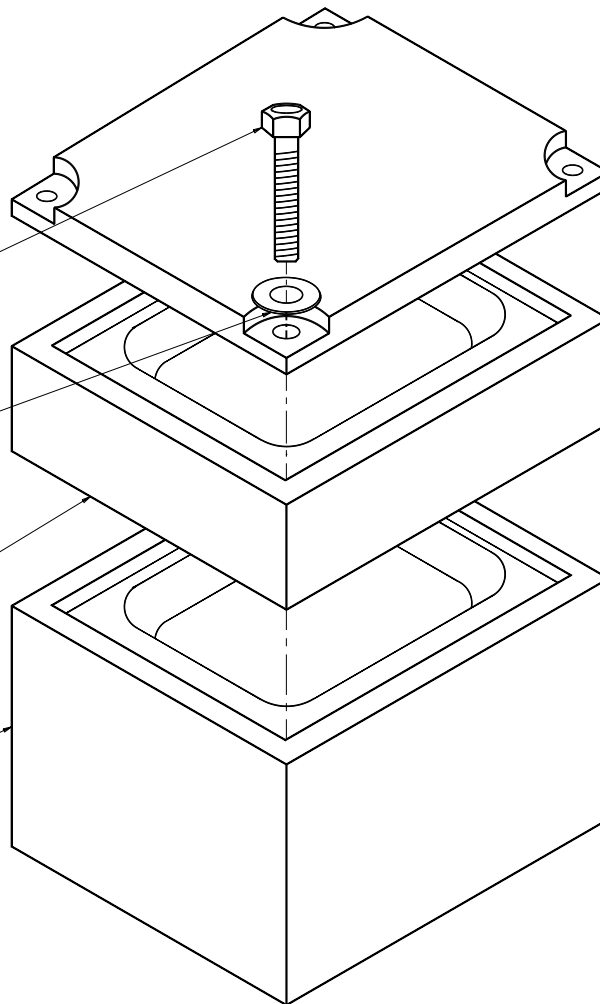
**CROSS SECTION OF HOUSING ADAPTOR**

M12 x 100 hex head stainless steel bolt  
(4 required) threaded 90

Stainless steel washer  
M12 (4 required)

Detector housing adaptor

Detector housing



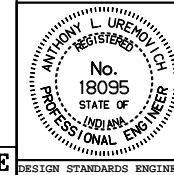
All dimensions are in mm unless otherwise specified.

INDIANA DEPARTMENT OF TRANSPORTATION

**DETAILS OF DETECTOR  
HOUSING ADAPTER**

MARCH 1995

STANDARD DRAWING NO. 805-SGDH-03



/s/ Anthony L. Uremovich 3-01-95  
DESIGN STANDARDS ENGINEER DATE

/s/ Donald W. Lucas 3-01-95  
CHIEF HIGHWAY ENGINEER DATE

Source Sheet: NONE