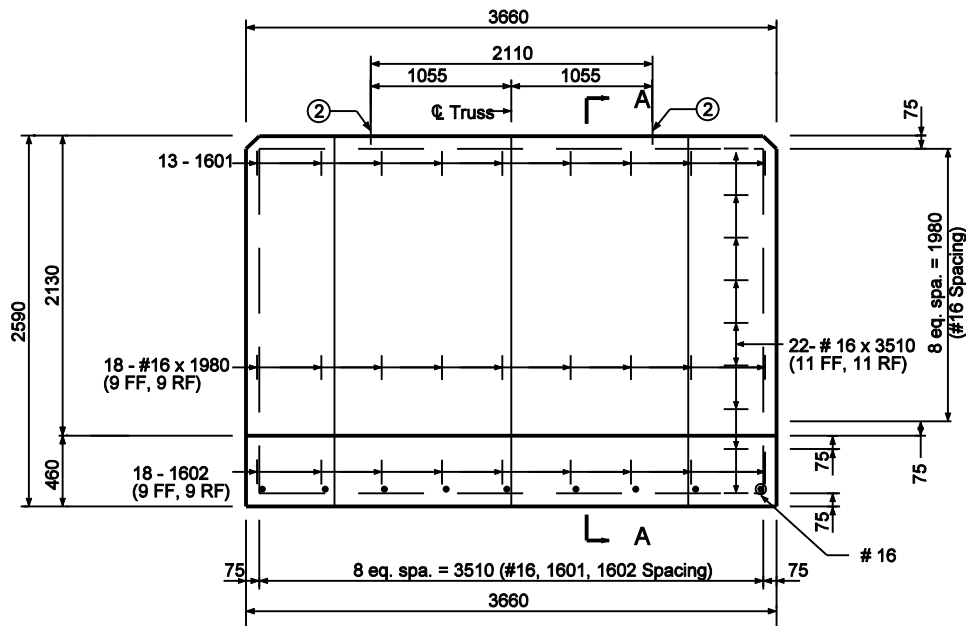
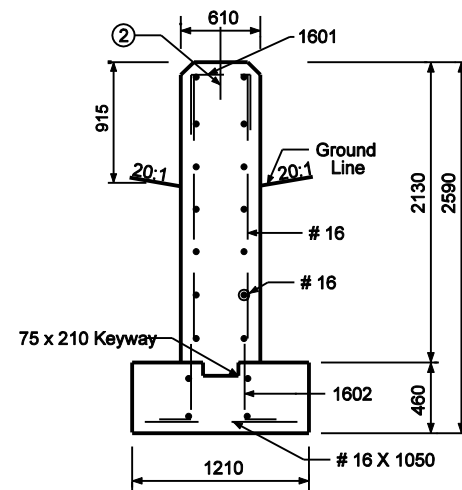


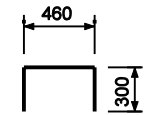
**PLAN**



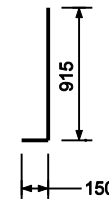
**ELEVATION**



**SECTION A-A**



**1601 x 1060**



**1602 x 1060**

**Notes:**

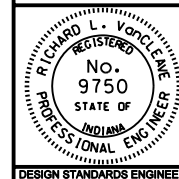
1. For barrier wall width transition see Standard Drawing 602-CCMB-03.

②  $\varnothing$  Anchor Bolt.

All Dimension are in mm unless otherwise specified

INDIANA DEPARTMENT OF TRANSPORTATION  
**BOX TRUSS SIGN FOUNDATION  
 FOR GRASS MEDIAN INSTALLATION  
 TYPE V - D  
 MARCH 2003**

STANDARD DRAWING NO. 802-SNBF-02



/s/ Richard L. VanCleave 3-03-03  
 DESIGN STANDARDS ENGINEER DATE

/s/ Richard K. Smutzer 3-03-03  
 CHIEF HIGHWAY ENGINEER DATE

DESIGN STANDARDS ENGINEER