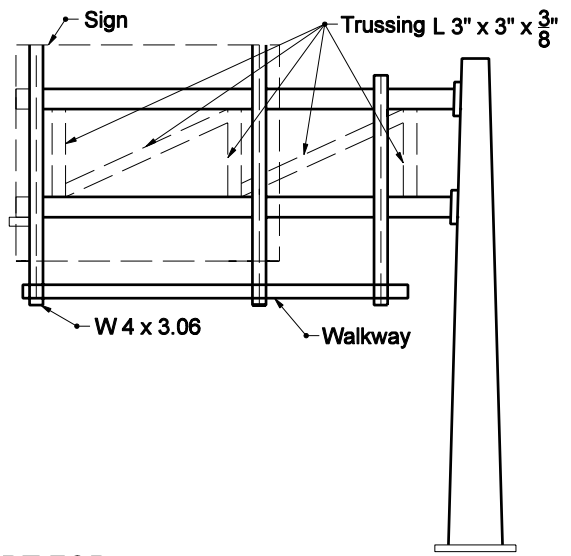
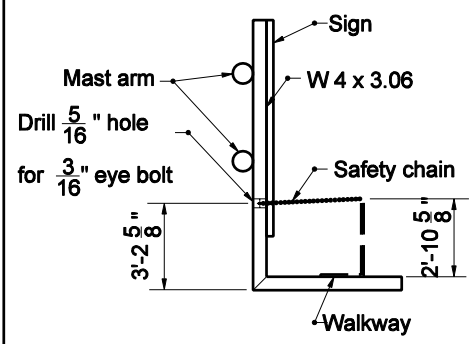


GENERAL NOTE

- ① See Standard Drawing E 802-SNWW-08 for Detail A.
- ② See Standard Drawing E 802-SNWW-08 for Detail B.



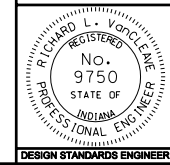
**CHAIN SUPPORT FOR
DOUBLE MASTARM CANTILEVER
(BOX TRUSS SIMILIAR)**

INDIANA DEPARTMENT OF TRANSPORTATION

SIGN WALKWAY DETAILS

MARCH 2006

STANDARD DRAWING NO. E 802-SNWW-07



/s/ Richard L. VanCleave	3-01-06
DESIGN STANDARDS ENGINEER	DATE
/s/ Richard K. Smutzer	3-01-06
CHIEF HIGHWAY ENGINEER	DATE

DESIGN STANDARDS ENGINEER