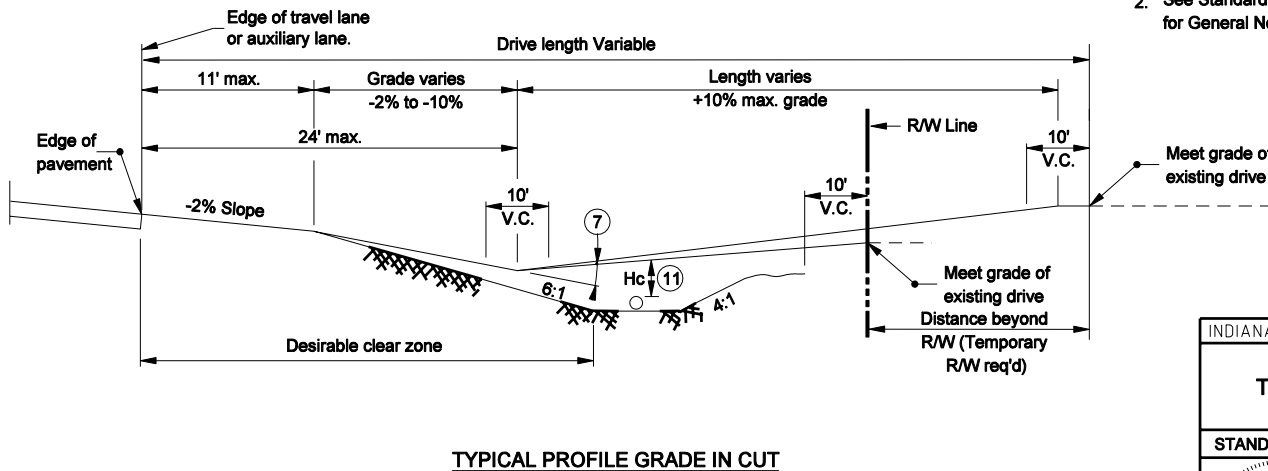


NOTES :

1. See Standard Drawing E 610-DRIV-06 for plan and sections of Class VI drive.
2. See Standard Drawing E 610-DRIV-13 for General Notes.

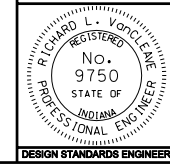


INDIANA DEPARTMENT OF TRANSPORTATION

**CLASS VI DRIVE
TYPICAL PROFILE GRADES**

MARCH 2006

STANDARD DRAWING NO. E 610-DRIV-11



/s/ Richard L. VanCleave 3-01-06
DESIGN STANDARDS ENGINEER DATE

/s/ Richard K. Smutzer 3-01-06
CHIEF HIGHWAY ENGINEER DATE

DESIGN STANDARDS ENGINEER