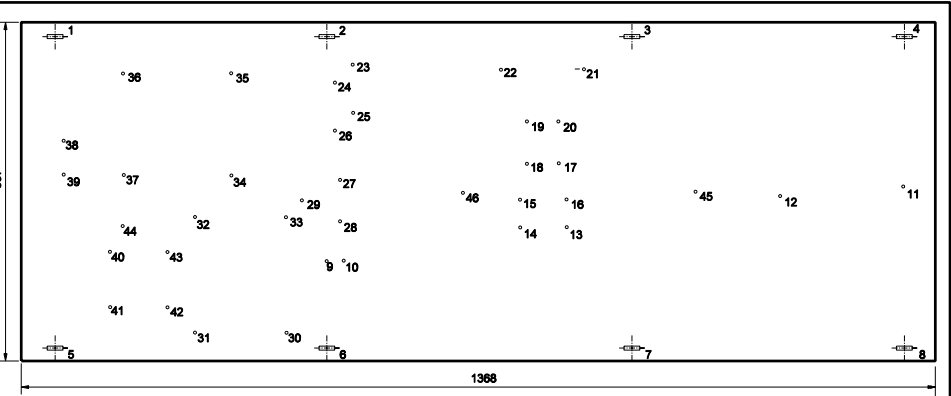


DETECTOR CARD DIN RAIL DETAIL

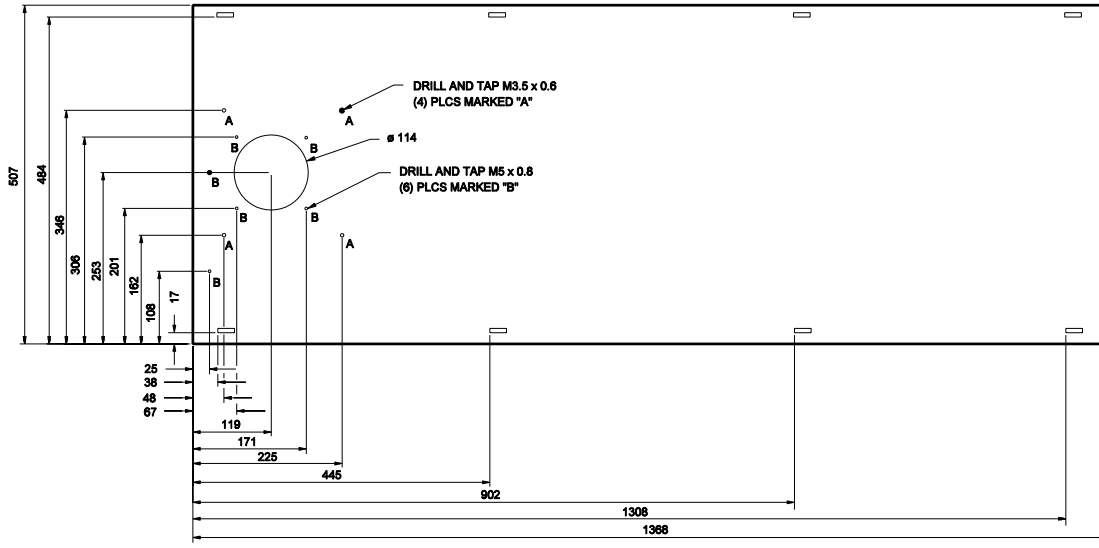


POWER DISTRIBUTION PANEL PUNCH OUT DETAIL

COORDINATES

No	X	Y	SIZE
1	51	487	6 x 25 Slot
2	457		
3	914		
4	1321	487	
5	51	20	
6	457		
7	914		
8	1321	20	6 x 25 Slot
9	457	152	3 DIA
10	483	152	3 DIA
11	1321	280	M4.5 x 0.75
12	1135	247	
13	817	202	
14	748	202	
15	748	244	
16	817	244	
17	806	297	
18	759	297	
19	759	380	
20	806	380	
21	845	438	
22	721	438	M4.5 x 0.75

No	X	Y	SIZE
23	497	446	M5 x 0.8
24	470	419	
25	497	374	
26	470	347	
27	478	273	
28	478	212	
29	471	242	
30	398	44	
31	280	44	
32	280	217	
33	398	217	
34	316	279	
35	316	432	
36	154	432	
37	154	279	
38	84	330	
39	84	279	
40	133	185	
41	133	83	
42	219	83	
43	219	185	
44	152	203	M5 x 0.8
45	1010	254	M 4.5 x 0.75
46	680	254	M4.5 x 0.75



HEATER PANEL PUNCH OUT DETAILS

NOTES:

- See Standard Drawings 809-ITCS-01 thru-02 or -03 thru -07 for additional ITS cabinet details.

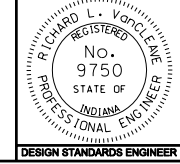
All dimensions are in mm unless otherwise specified

INDIANA DEPARTMENT OF TRANSPORTATION

CABINET PUNCH OUT DETAILS

MARCH 2006

STANDARD DRAWING NO. 809-ITSC-03



/s/ Richard L. VanCleave 3-01-06
DESIGN STANDARDS ENGINEER DATE

/s/ Richard K. Smutzer 3-01-06
CHIEF HIGHWAY ENGINEER DATE

DESIGN STANDARDS ENGINEER