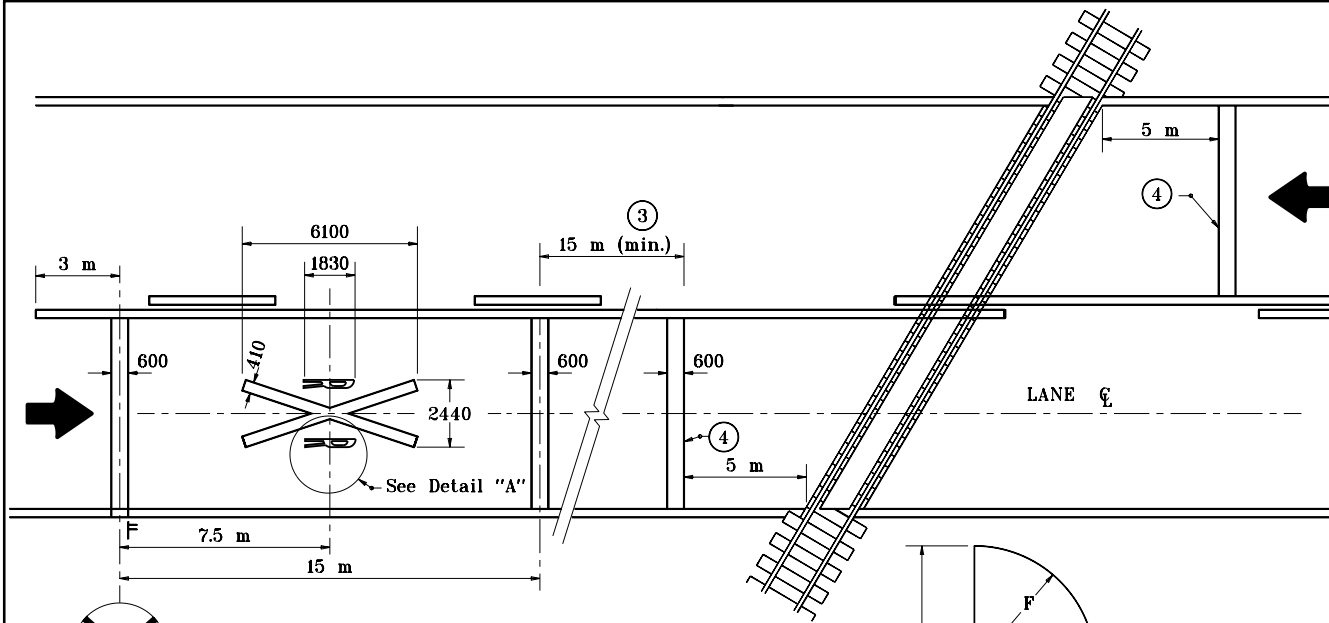


GENERAL NOTES

1. For 2-way left-turn lanes, the center lane shall be discontinued across the railroad crossing and marked as a flush median or as a 1-way left-turn lane.
2. For a multi-lane highway, the transverse lines shall be extended across all approach lanes, and the individual railroad crossing symbols provided in each lane.
- 3 Stopping sight distance in rural areas; variable in urban areas, but not less than 15 m. See Stopping Sight Distance Table.
- 4 Stop line is approximately 2.5 m from gate (if present).

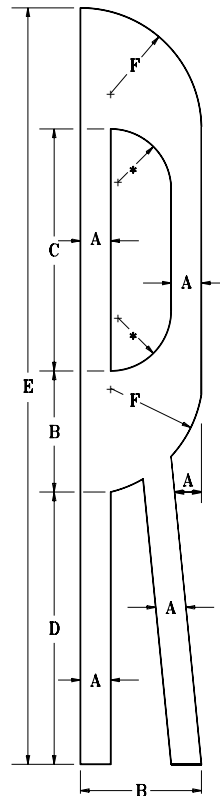


STOPPING SIGHT DISTANCE 3

Speed, km/h (mph)	Distance
50 (30)	60 m
60 (35)	100 m
60 (40)	125 m
70 (45)	150 m
80 (50)	175 m
90 (55)	200 m
100 (60)	200 m

- A = 70
- B = 290
- C = 590
- D = 660
- E = 1830
- F = 290
- * = 150

DETAIL "A"



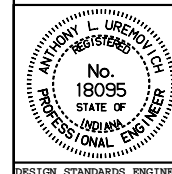
All dimensions are in mm unless otherwise specified.

INDIANA DEPARTMENT OF TRANSPORTATION

**PAVEMENT MARKING
FOR RAILROAD CROSSINGS**

JANUARY 2000

STANDARD DRAWING NO. 808-MKPM-07



/s/ Anthony L. Uremovich 1-03-00
DESIGN STANDARDS ENGINEER DATE

/s/ Firooz Zandi 1-03-00
CHIEF HIGHWAY ENGINEER DATE

DESIGN STANDARDS ENGINEER