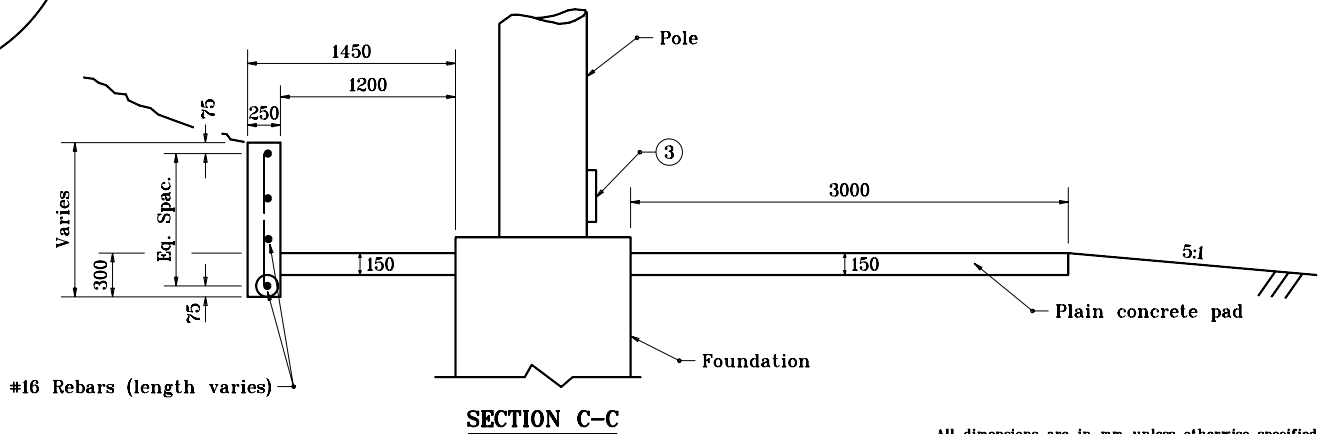


**EXTERNAL WINCH CONCRETE PAD  
WITH RETAINING WALL**



**SECTION C-C**

**NOTES**

1. Retaining wall detail is used for tower installed on sloping ground.
2. Slope grading around the concrete pad to be as shown unless otherwise directed.
- ③ Handhole shall be centered in front of concrete pad.

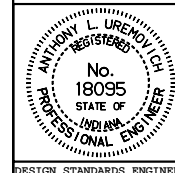
All dimensions are in mm unless otherwise specified.

INDIANA DEPARTMENT OF TRANSPORTATION

**HIGH MAST TOWER  
CONCRETE PAD**

JANUARY 2000

STANDARD DRAWING NO. 807-LTHM-04



/s/ Anthony L. Uremovich 1-03-00  
DESIGN STANDARDS ENGINEER DATE

/s/ Firooz Zandi 1-03-00  
CHIEF HIGHWAY ENGINEER DATE

DESIGN STANDARDS ENGINEER