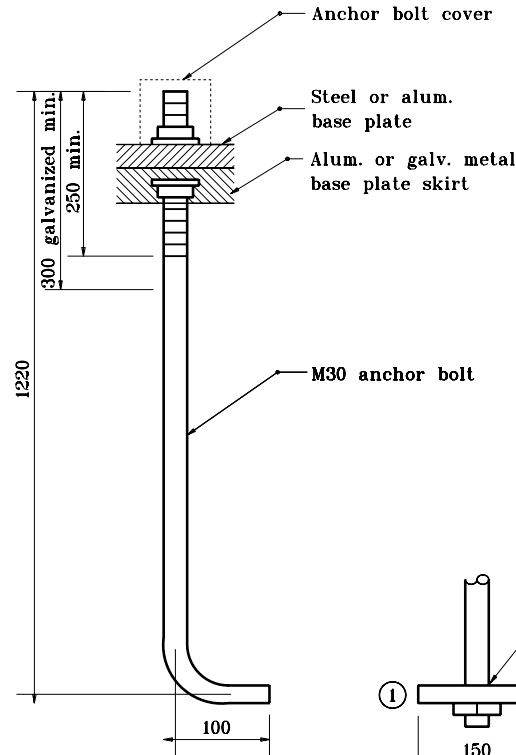
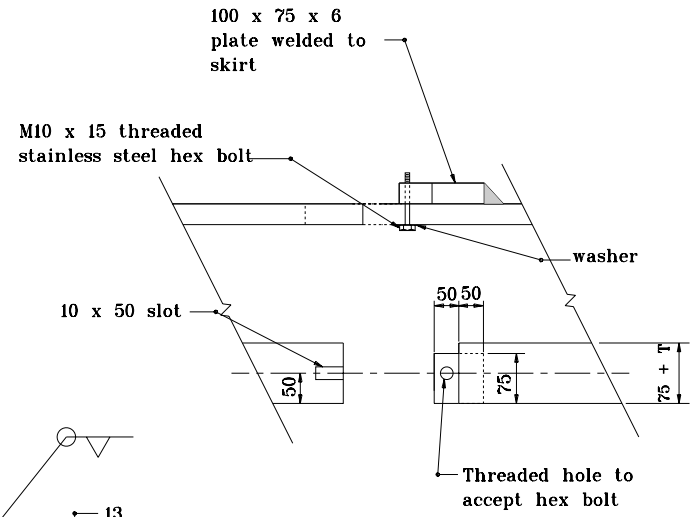


GENERAL NOTES

① Alternate 150 x 150 x 13 sq. washer with hex nut welded to lower end.

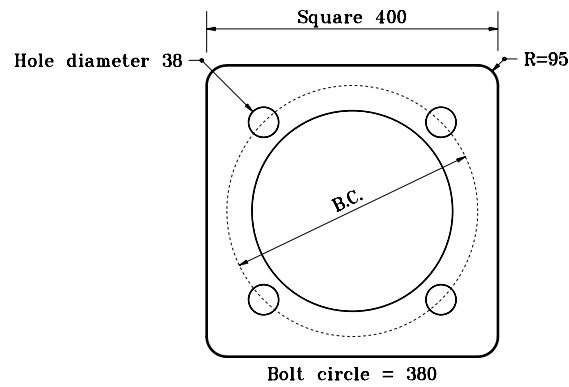


DETAIL D

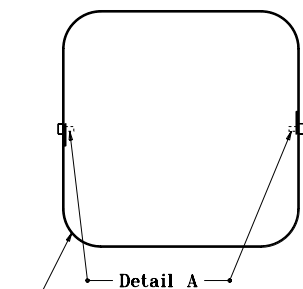


T = Thickness of anchor base

DETAIL A



STEEL BASE PLATE DETAIL



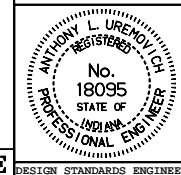
3 thick galv. metal plate

METAL COVER DETAIL

All dimensions are in mm unless otherwise specified.

INDIANA DEPARTMENT OF TRANSPORTATION
SIGNAL CANTILEVER ANCHOR BOLTS, PLATES, AND COVERS
 SEPTEMBER 1998

STANDARD DRAWING NO. 805-SGMA-05



/s/ Anthony L. Uremovich 9-01-98
 DESIGN STANDARDS ENGINEER DATE

/s/ Donald W. Lucas 9-01-98
 CHIEF HIGHWAY ENGINEER DATE

Source Sheet: NONE