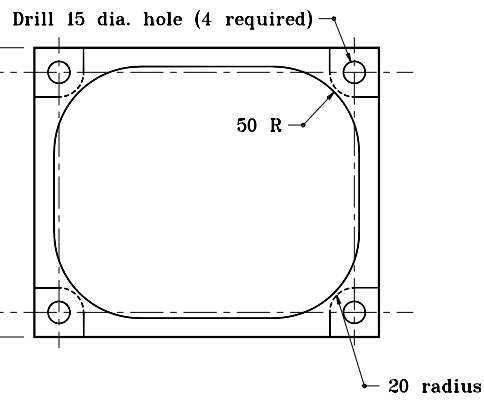
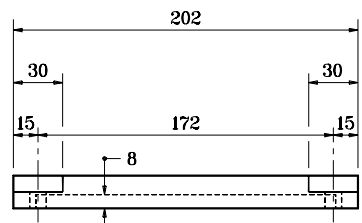
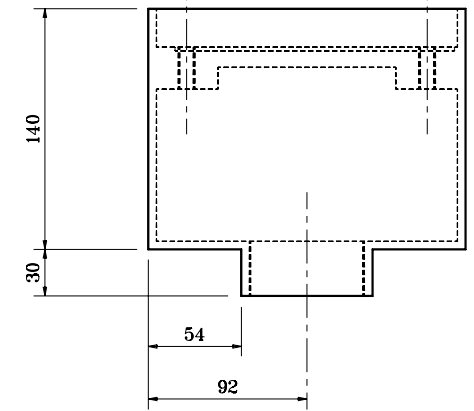
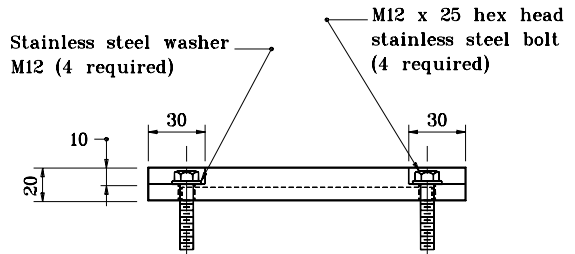


SECTION A-A



Source Sheet: NONE

All dimensions are in mm unless otherwise specified.

INDIANA DEPARTMENT OF TRANSPORTATION

**DETAIL OF
DETECTOR HOUSING**

MAY 1998

STANDARD DRAWING NO. 805-SGDH-02

| | |
|--|--|
| | /s/ Anthony L. Uremovich 5-01-98 DESIGN STANDARDS ENGINEER DATE |
| | /s/ Donald W. Lucas 5-01-98 CHIEF HIGHWAY ENGINEER DATE |

DESIGN STANDARDS ENGINEER