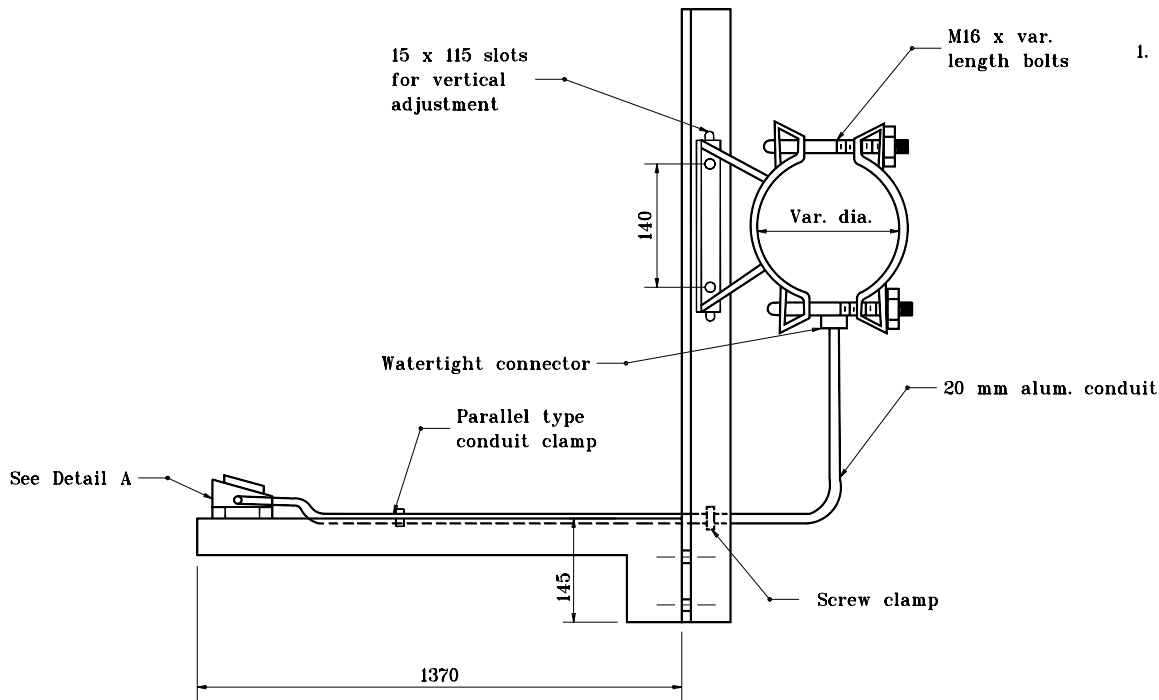
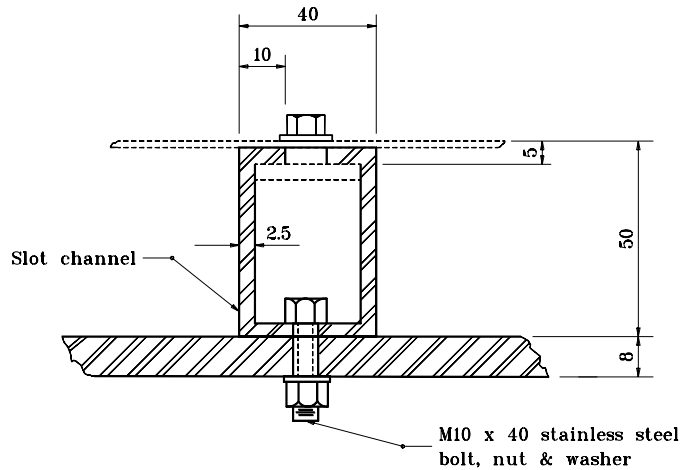


GENERAL NOTES

1. For connection details see Sign Wiring Details on the plans.



CONDUIT / LIGHTING DETAIL
(For single arm or beam sign bracket)



DETAIL A

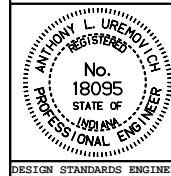
All dimensions are in mm unless otherwise specified.

INDIANA DEPARTMENT OF TRANSPORTATION

CONDUIT / LIGHTING

SEPTEMBER 2001

STANDARD DRAWING NO. 802-SNIL-07



/s/ Anthony L. Uremovich 9-04-01
DESIGN STANDARDS ENGINEER DATE

/s/ Firooz Zandi 9-04-01
CHIEF HIGHWAY ENGINEER DATE

DESIGN STANDARDS ENGINEER