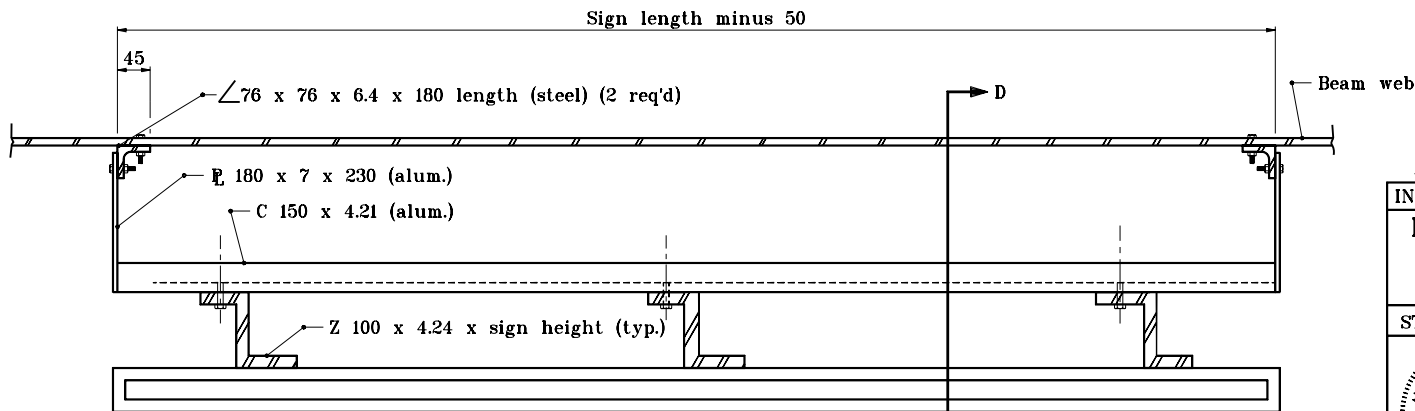


SECTION D-D



**PLAN (TYPE B)
0° CONNECTION**

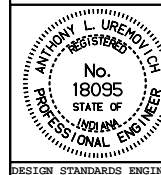
All dimensions are in mm unless otherwise specified.

INDIANA DEPARTMENT OF TRANSPORTATION

**BRIDGE BRACKET ASSY. FOR
CROSS-ROAD SIGNING**

SEPTEMBER 2001

STANDARD DRAWING NO. 802-SNBB-03



/s/ Anthony L. Uremovich 9-04-01
DESIGN STANDARDS ENGINEER DATE

/s/ Firooz Zandi 9-04-01
CHIEF HIGHWAY ENGINEER DATE

DESIGN STANDARDS ENGINEER