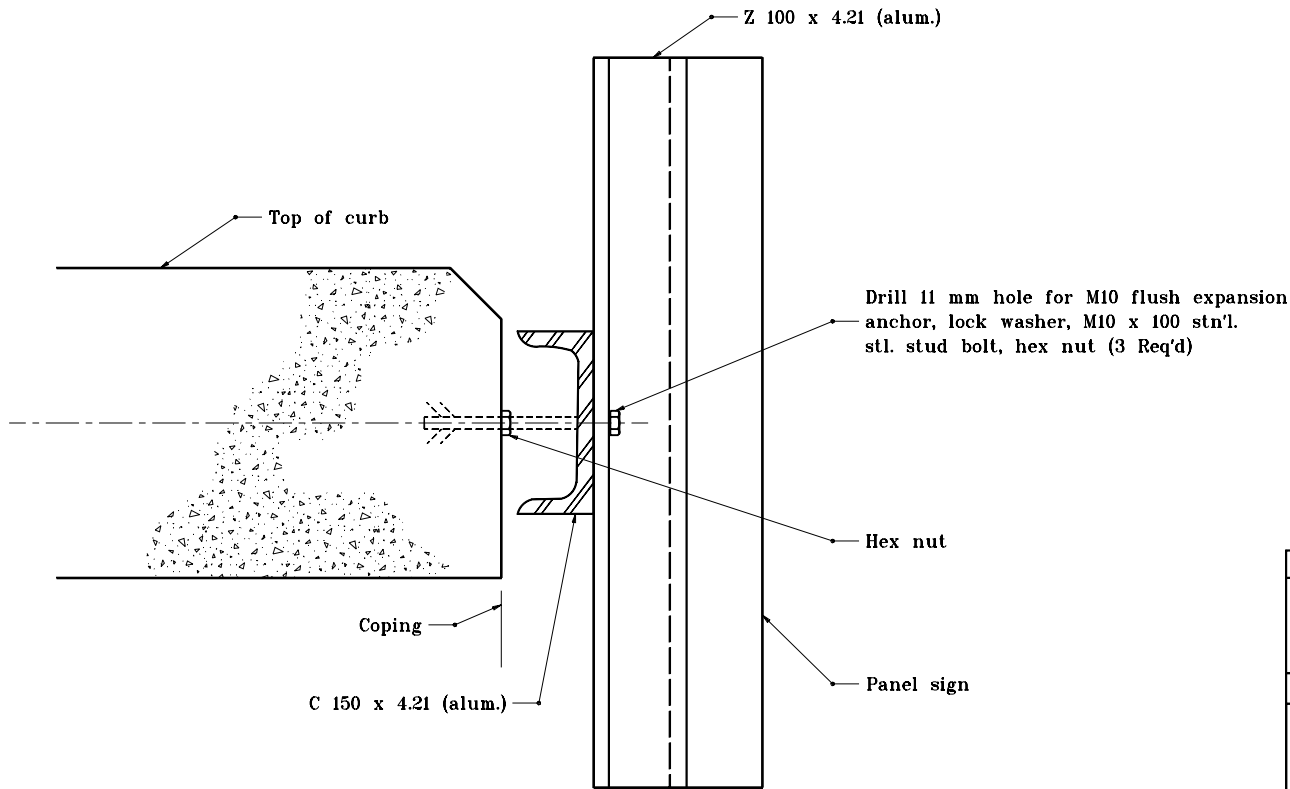


PLAN (TYPE A)
0° CONNECTION



SECTION A-A

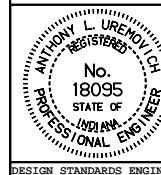
All dimensions are in mm unless otherwise specified.

INDIANA DEPARTMENT OF TRANSPORTATION

**BRIDGE BRACKET ASSY. FOR
CROSSROAD SIGNING**

SEPTEMBER 2001

STANDARD DRAWING NO. **802-SNBB-01**



/s/ Anthony L. Uremovich 9-04-01
DESIGN STANDARDS ENGINEER DATE

/s/ Firooz Zandi 9-04-01
CHIEF HIGHWAY ENGINEER DATE

DESIGN STANDARDS ENGINEER