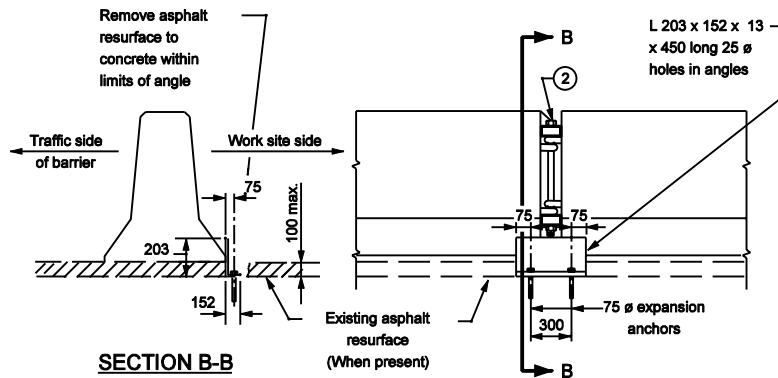


SECTION A-A

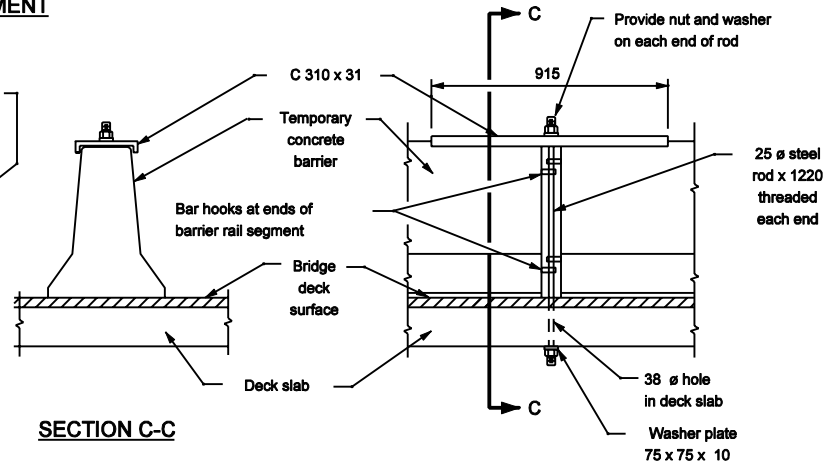
BARRIER ANCHORAGE ON ASPHALT PAVEMENT

- NOTES:**
1. Anchorage against lateral movement is required for temporary concrete barrier located on concrete or asphalt pavement or shoulder where it is on or within 60 ft. of a bridge or where it is used on flared alignments. The method of anchoring shall be as shown.
 2. For connection details see Standard Drawing 801-TCCB-02.
 3. Where barrier is on soil the 25ø bolts shall be 900 long.



SECTION B-B

**BRIDGE FLOORS AND CONCRETE PAVEMENT
STANDARD METHOD**



SECTION C-C

**BRIDGE FLOOR ONLY
ALTERNATE METHOD**

BARRIER ANCHORAGE ON CONCRETE PAVEMENT

All Dimension are in mm unless otherwise specified

INDIANA DEPARTMENT OF TRANSPORTATION

TEMPORARY CONCRETE BARRIER ANCHORAGE

SEPTEMBER 2002

STANDARD DRAWING NO. 801-TCCB-04

	/s/ Richard L. VanCleave	9-03-02
	DESIGN STANDARDS ENGINEER	DATE
	/s/ Richard K. Smutzer	9-03-02
DESIGN STANDARDS ENGINEER	CHIEF HIGHWAY ENGINEER	DATE