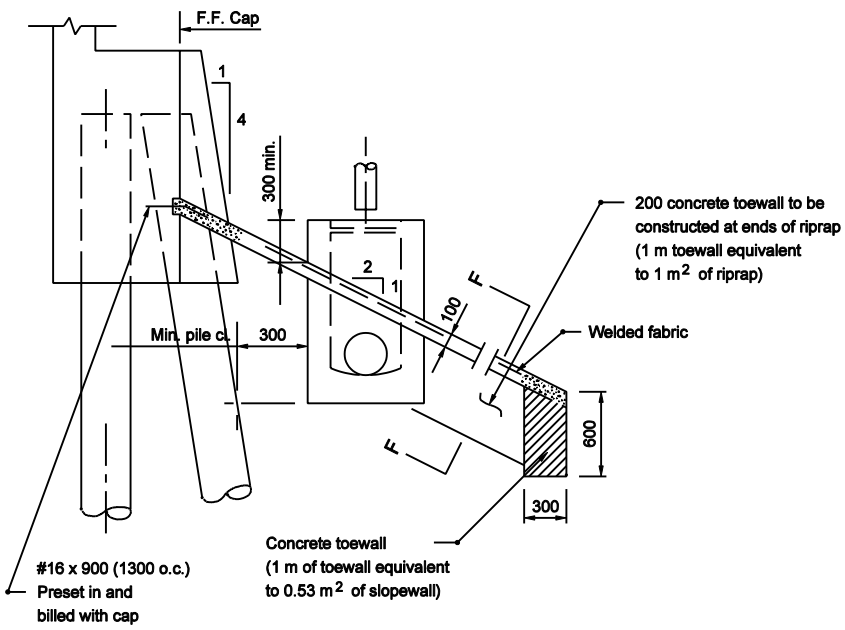
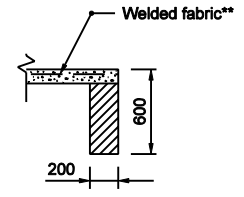


SECTION B-B **SECTION C-C**
DETAIL OF CONCRETE INLET TYPE U

SECTION D-D **SECTION E-E**
DETAIL OF CONCRETE INLET TYPE W



SECTION A-A
TYPICAL ELEVATION THRU SLOPEWALL



SECTION F-F

All Dimension are in mm unless otherwise specified

INDIANA DEPARTMENT OF TRANSPORTATION

SLOPEWALL AND DRAINAGE DETAILS

SEPTEMBER 2003

STANDARD DRAWING NO. 616-SWCO-06

	/s/ Richard L. VanCleave	9-02-03
	DESIGN STANDARDS ENGINEER	DATE
	/s/ Richard K. Smutzer	9-02-03
	CHIEF HIGHWAY ENGINEER	DATE

DESIGN STANDARDS ENGINEER